

SPECIFICATIONS

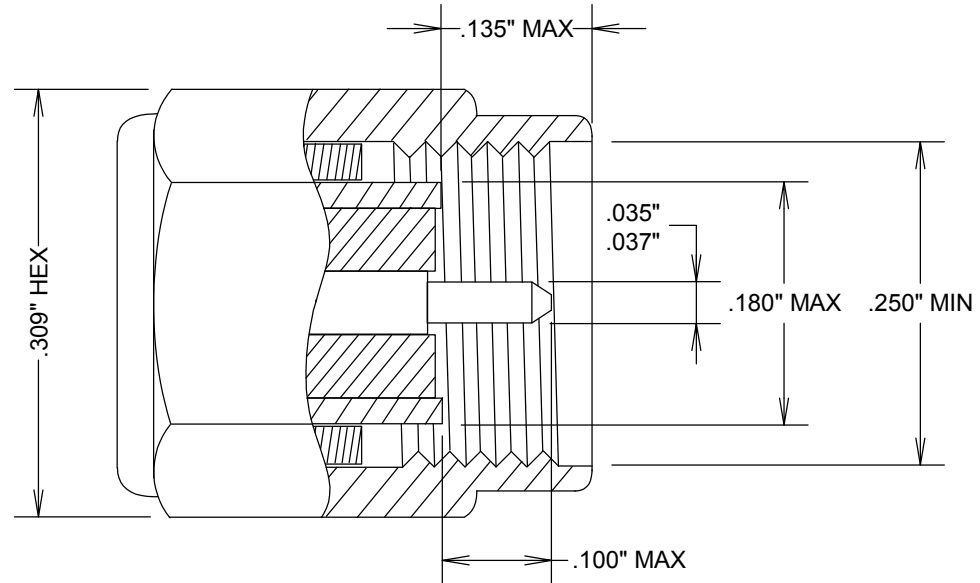
ELECTRICAL

FREQUENCY: DC-18 GHZ
 IMPEDANCE: 50 OHMS
 VRMS: 500 VOLTS

MECHANICAL

MATERIALS BODY: BRASS, PLATED
 SILVER, OR NICKEL
 MALE CONTACTS: BRASS OR BeCu
 FEMALE CONTACTS: BeCu
 GASKETS: SILICONE RUBBER
 INSULATOR: TEFLON

SMA-M



S. M. ELECTRONICS L.L.C

FAIRVIEW, TX 75069 WWW.SMELECTRONICS.US

TITLE

SMA-M

SIZE	CAGE CODE	DWG NO	REV
A	3FKR5	SMA-M CONNECTOR	--
SCALE		SHEET	