

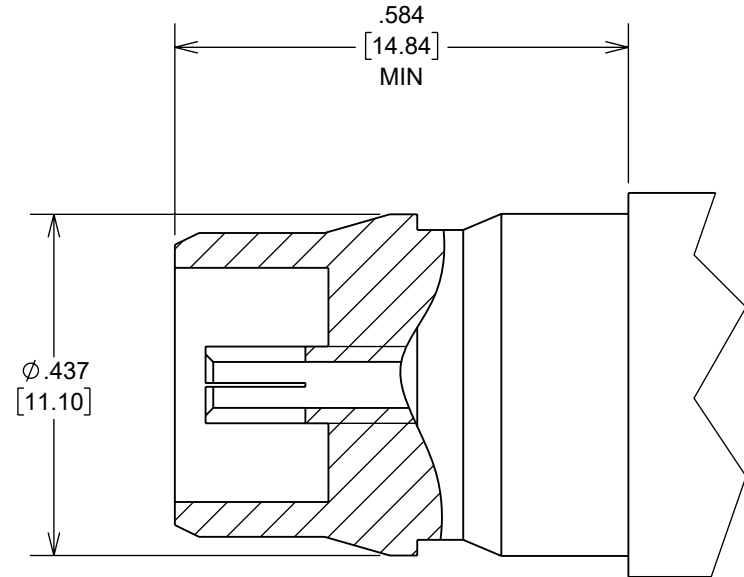
# SPECIFICATIONS

## ELECTRICAL

- Frequency Range: DC - 11 GHz
- Impedance: 50 Ohm
- Dielectric Withstanding Voltage: 2500 VRMS Max
- Working Voltage: 500 Volts RMS Continuous
- VSWR (Return Loss):
  - DC - 3 GHz : 1.052 (-32 dB) Max
  - 3 - 6 GHz : 1.12 (-25 dB) Max
  - 6 - 11 GHz : 1.22 (-20 dB) Max
- Insulation Resistance: 5,000 Megohms Min
- Center Contact Resistance: 1.5 mΩ Max
- Outer Contact Resistance: 1.5 mΩ Max
- RF Leakage: ≥ 90 dB @ DC to 3 GHz  
 ≥ 80 dB @ 3 GHz to 6 GHz
- Insertion Loss: .03 √(f(GHz)) dB Max
- Power Handling: 300 W @ 2.5 GHz @ 25°C
- Operating Temperature: -40°C to +125°C

## MECHANICAL

- Mating Cycles: 100 Min
- Coupling Mechanism: Push-Pull
- Interface Specification: Quick Lock Formula - QN
- Engagement Force: 6.75 lbs (30 N) Typ
- Disengagement Force: 6.75 lbs (30 N) Type



**FAIRVIEW MICROWAVE INC.**

WWW.FAIRVIEWMICROWAVE.COM

TITLE

**QN FEMALE**

ALL DIMENSIONS IN inches(mm) Typical	SIZE	CAGE CODE	DWG NO	REV
	<b>A</b>	<b>3FKR5</b>	<b>QN FEMALE CONNECTOR</b>	<b>A</b>
	SCALE		SHEET	