

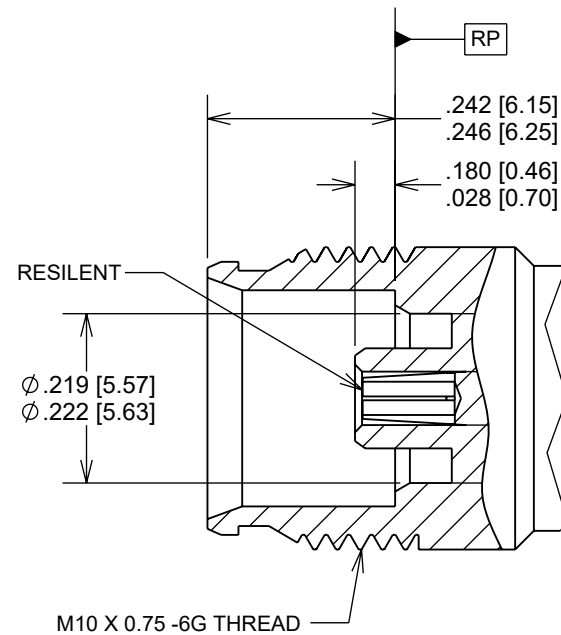
SPECIFICATIONS

ELECTRICAL

- Frequency Range: DC - 20 GHz
- Impedance: 50 Ohm
- PIM (Passive Intermodulation): -166 dBc, 2 x 43 dBm (Static and Dynamic)
- Power: 100 W @ 2 GHz @ 85 °C
- VSWR (Return Loss):
 - DC - 4 GHz : ≥ 36 dB
 - 4 - 6 GHz : ≥ 34 dB
 - 6 - 10 GHz : ≥ 30 dB
 - 10 - 20 GHz : ≥ 20 dB
- Working Voltage: 500V rms
- Insulation Resistance: 5,000 Megohms Min
- Center Contact Resistance: 1.5 mΩ Max
- Outer Contact Resistance: 1.5 mΩ Max
- RF Leakage: ≥ 110 dB @ DC to 6 GHz (screw type)
 - ≥ 90 dB @ DC to 3 GHz for tool-less plugs (quick-lock)
 - ≥ 70 dB @ 3 to 6 GHz for tool-less plugs (quick-lock)
- Insertion Loss: ≤ 0.05 x √ f [GHz] dB
- Power Handling: 100 W @ 2.0 GHz and 85°C ambient temperature
50 W @ 2.0 GHz and 105°C ambient temperature
- Operating Temperature: -55°C to +125°C

MECHANICAL

- Mating Cycles: 100 Min
- Coupling Nut Retention: ≥ 500 N
- Center Contact Captivation Axial: ≥ 20 N
- Center Contact Retention Force 1 - 10 N
- Outer Contact Retention force 3 - 20 N
- Engagement Force 50 N (Typ.)
- Disengagement Force 35 N (Typ.)
- Coupling Recommended Torque 5 Nm



FAIRVIEW MICROWAVE INC.

WWW.FAIRVIEWMICROWAVE.COM

TITLE

NEX10 FEMALE

SIZE	CAGE CODE	DWG NO	REV
A	3FKR5	NEX10 FEMALE CONNECTOR	A
SCALE		SHEET	

ALL DIMENSIONS IN inches(mm) Typical