

MCX-JACK

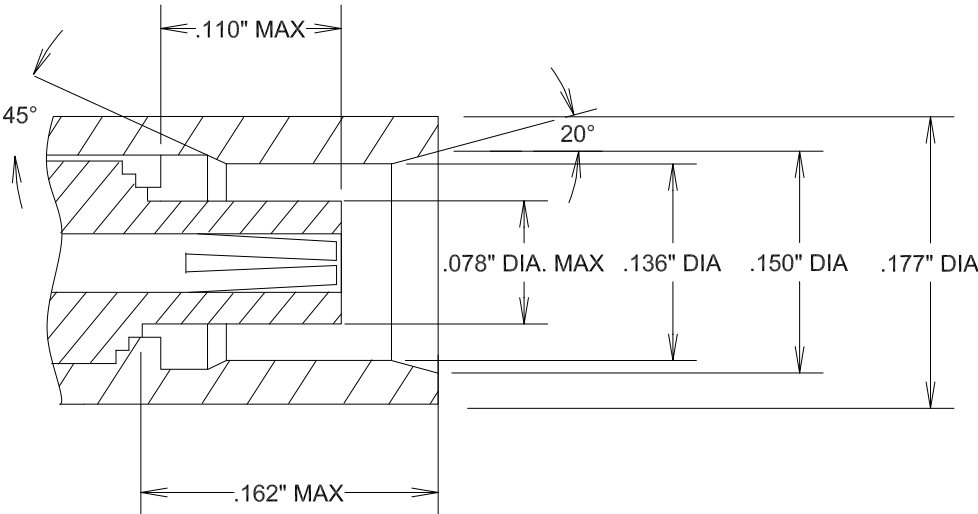
SPECIFICATIONS

ELECTRICAL

FREQUENCY: DC-6 GHZ
 IMPEDANCE: 50 OHMS
 VRMS: 250-335 VOLTS RMS(DEPENDENT ON CABLE)

MECHANICAL

MATERIALS BODY: NICKEL, GOLD PLATED, OR BRASS
 MALE CONTACTS: BRASS OR BeCu
 FEMALE CONTACTS: BeCu
 CONTACT PLATING: GOLD
 GASKETS: SILICONE RUBBER
 INSULATOR: TEFLON



				FAIRVIEW MICROWAVE INC.	
				ALLEN, TX 75013 WWW.FAIRVIEWMICROWAVE.COM	
				TITLE	
				MCX JACK	
SIZE	CAGE CODE	DWG NO	MCX JACK		
A	3FKR5				
SCALE			SHEET		