

# SPECIFICATIONS

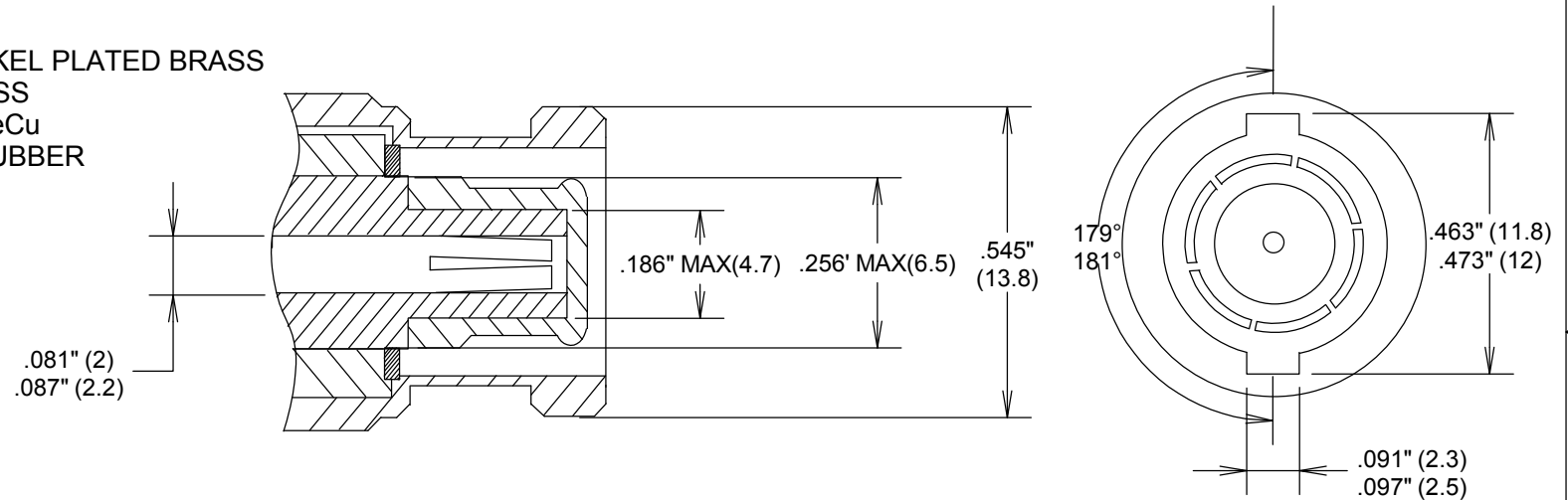
## ELECTRICAL

FREQUENCY: 4 & 8 GHZ  
 IMPEDANCE: 50 75 OHMS  
 VRMS: 500 V SEA LEVEL

## MECHANICAL

MATERIALS BODY: NICKEL PLATED BRASS  
 MALE CONTACTS: BRASS  
 FEMALE CONTACTS: BeCu  
 GASKETS: SILICONE RUBBER  
 INSULATOR: TEFLON

## BNC-M REVERSE POLARITY



**FAIRVIEW MICROWAVE INC.**

ALLEN, TX 75013 WWW.FAIRVIEWMICROWAVE.COM

TITLE

**BNC-M REVERSE POLARITY**

ALL DIMENSIONS IN inches(mm) Typical	SIZE	CAGE CODE	DWG NO	REV
	<b>A</b>	<b>3FKR5</b>	<b>BNC-M REVERSE POLARITY</b>	<b>--</b>
	SCALE			SHEET