

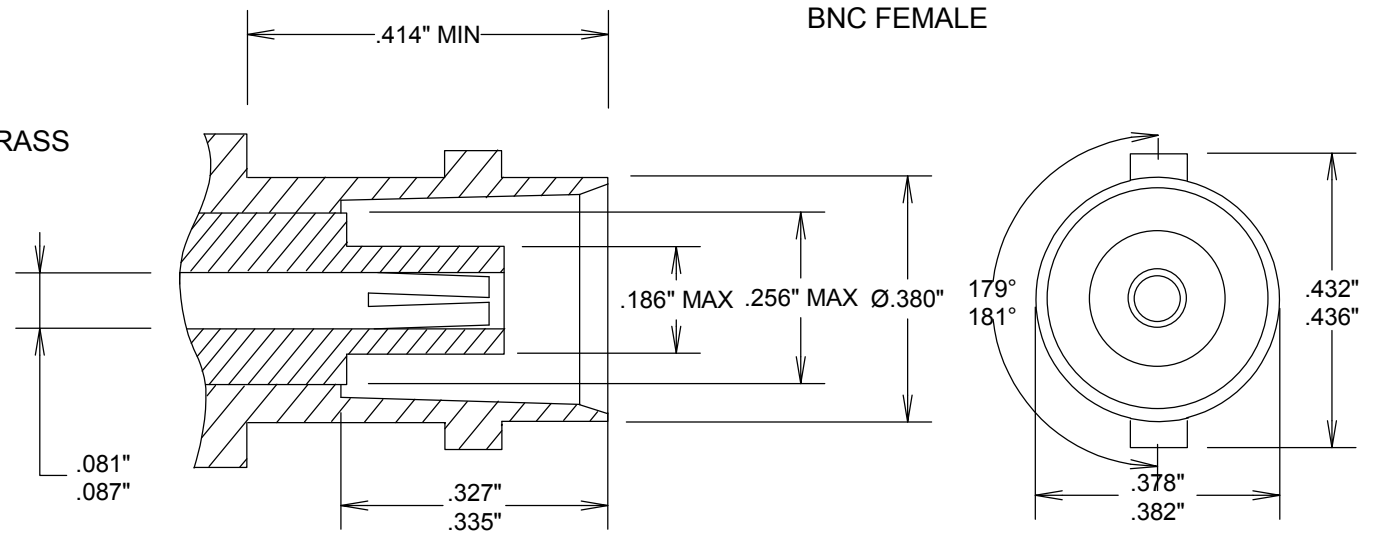
SPECIFICATIONS

ELECTRICAL

FREQUENCY: 4 & 8 GHZ(MODIFIED)
 IMPEDANCE: 50 75 OHMS
 VRMS: 500 V SEA LEVEL

MECHANICAL

MATERIALS BODY: NICKEL PLATED BRASS
 MALE CONTACTS: BRASS
 FEMALE CONTACTS: BeCu
 GASKETS: SILICONE RUBBER
 INSULATOR: TEFLON



FAIRVIEW MICROWAVE INC.
 ALLEN, TX 75013 WWW.FAIRVIEWMICROWAVE.COM

TITLE

BNC-F

SIZE	CAGE CODE	DWG NO	REV
A	3FKR5	BNC-F CONNECTOR	

SCALE

SHEET