

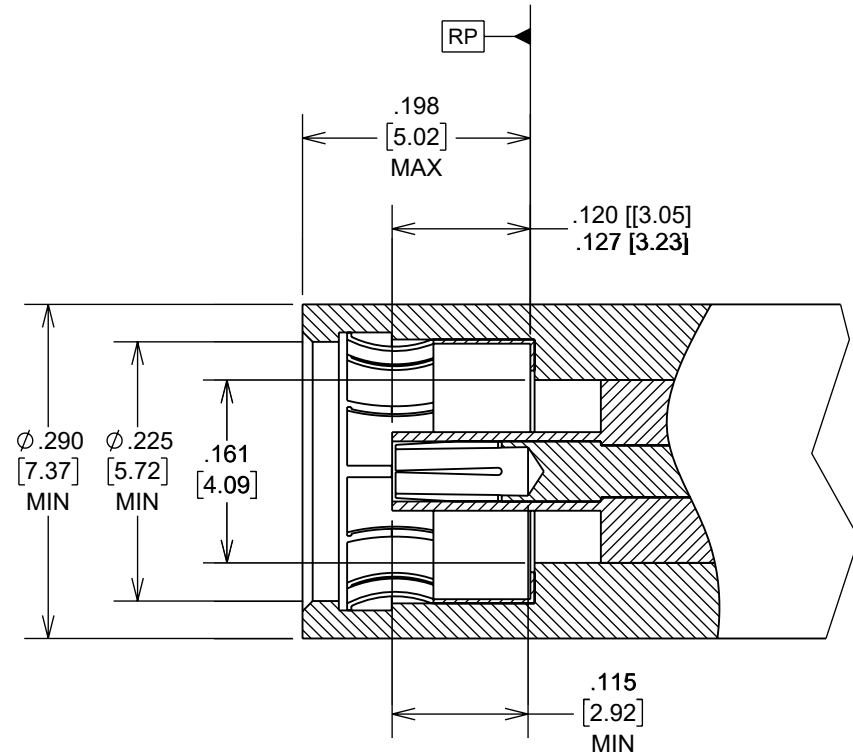
# SPECIFICATIONS

## ELECTRICAL

- Operating Frequency: Up to 22 GHz
- Impedance: 50 Ohm
- Working Voltage: 350 Volts rms Max.
- Insulation Resistance: 5000 Megohms Min.
- Dielectric Withstanding Voltage: 1000 Volts rms Min.
- Power rating at 1GHz: 450W
- Temperature range: -65°C / +165°C

## MECHANICAL

- Engagement Force: 3.0 Lbs. Max.
- Coupling Proof Torque: 1.5 Inch-Pound
- Connector Durability: 500 Cycles Min.
- Cable Retention Force: RG174,188, 316/U → 20 Lbs. Min.
- Coupling Mechanism: Slide-on/Push-on Coupling
- Interface Standards: IEC 61169-33, MIL-STD-348B



**FAIRVIEW MICROWAVE INC.**

ALLEN, TX 75013 WWW.FAIRVIEWMICROWAVE.COM

TITLE

**BMA JACK**

SIZE	CAGE CODE	DWG NO	REV
<b>A</b>	<b>3FKR5</b>	<b>BMA JACK CONNECTOR</b>	
SCALE		SHEET	

ALL DIMENSIONS IN inches(mm) Typical