

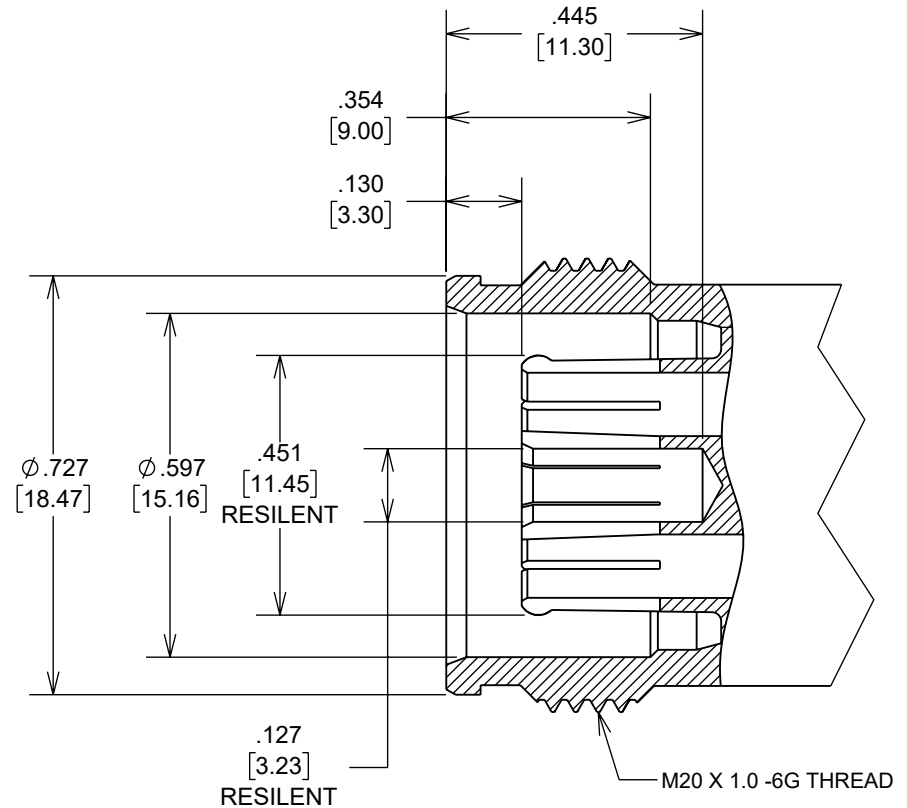
SPECIFICATIONS

ELECTRICAL

- Frequency Range: DC - 6 GHz
- Impedance: 50 Ohm
- Voltage Rating: 500 Volts RMS Continuous
- VSWR (Return Loss):
 - DC - 4 GHz : 1.032 (-36dB) Max
 - 4 - 6 GHz : 1.052 (-32dB) Max
- Insulation Resistance: 5,000 Megohms Min
- Dielectric Withstanding Voltage: 2500 Vrms Max
- Center Contact Resistance: 1 mΩ Max
- Outer Contact Resistance: 1 mΩ Max
- RF Leakage: -120 dB Max (DC - 3 GHz)
- Insertion Loss: $.05 \sqrt{f(\text{GHz})}$ dB Max
- Passive Intermodulation (PIM):
 - 2 x 20 W : -166 dBc (0.4 - 4 GHz)
 - 2 x 40 W : -160 dBc (0.4 - 4 GHz)
- Power Handling: 500 W @ 2 GHz @ 90 °C
- Operating Temperature: -40°C to +85°C

MECHANICAL

- Mating Cycles: 100 Min
- Coupling Mechanism: Screw-on Coupling
- Engagement Force: 18 lbs (80 N) Max
- Disengagement Force: 13.5 lbs (60 N) Max
- Mating Torque, Min Working: 5 N-m (44.25 in-lbs)



FAIRVIEW MICROWAVE INC.

WWW.FAIRVIEWMICROWAVE.COM

TITLE

4.3-10 FEMALE

SIZE	CAGE CODE	DWG NO	REV
A	3FKR5	4.3-10 FEMALE CONNECTOR	A
SCALE		SHEET	

ALL DIMENSIONS IN inches(mm) Typical