

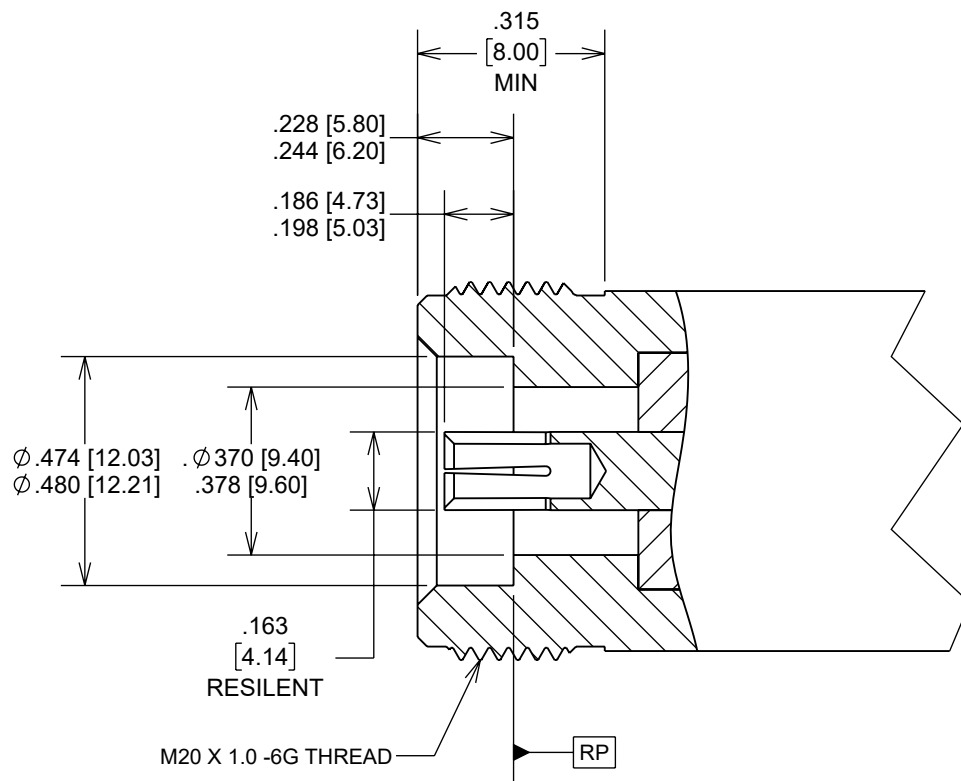
SPECIFICATIONS

ELECTRICAL

- Frequency Range: DC - 14 GHz
- Impedance: 50 Ohm
- TYP. VSWR:
 - DC - 11 GHz : 1.20:1 Max
 - 11 - 14 GHz : 1.35:1 Max
- Insulation Resistance: 5,000 Megohms Min
- Dielectric Withstanding Voltage: 2000 Vrms Min
- Power Handling (@ 1 GHz, sea level & ambient temp): 1700W Max
- PIM: < -165 dBc (@ 1900 MHz, 2 carriers of +43dBm)
- Operating Temperature: -65°C to +125°C

MECHANICAL

- Mating Cycles: 500 Min
- Coupling Mechanism: Screw-on Coupling
- Mating Torque: 20 - 25 Nm
- Contact Retention: 6 lbs min axial



FAIRVIEW MICROWAVE INC.

WWW.FAIRVIEWMICROWAVE.COM

TITLE

4.1/9.5 Mini DIN FEMALE

ALL DIMENSIONS IN inches(mm) Typical

SIZE	CAGE CODE	DWG NO	REV
A	3FKR5	4.1/9.5 Mini DIN FEMALE CONNECTOR	A
SCALE	SHEET		