

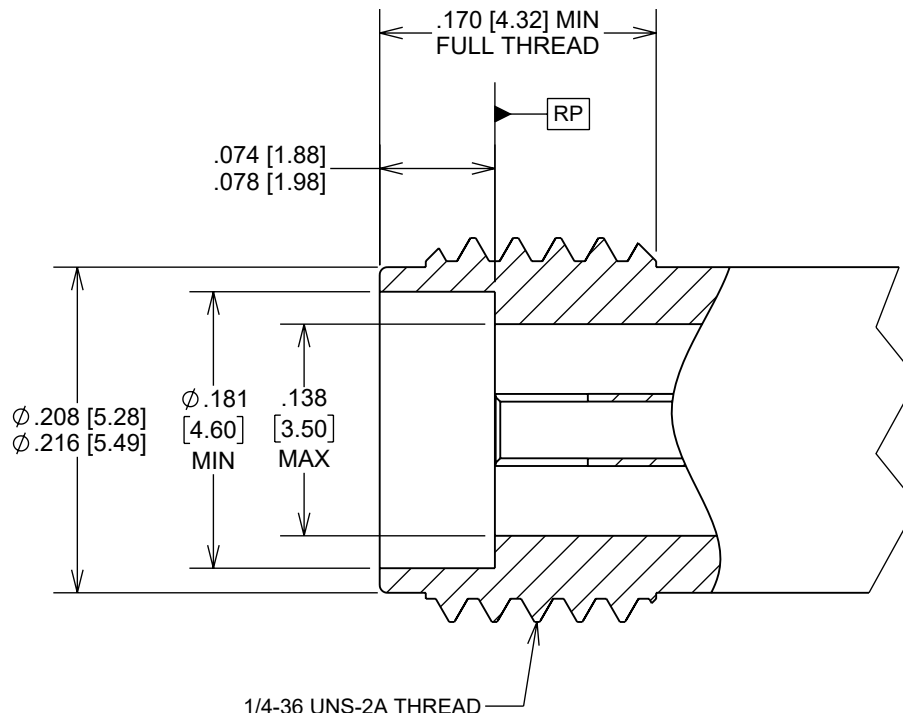
## SPECIFICATIONS

### ELECTRICAL

- Frequency Range: Mode Free Operation Up to 34 GHz
- Impedance: 50 Ohm
- Dielectric: Air
- Ruggedized Construction for Repeatability and Reliability
- Low VSWR:  $\leq 1.13$  up to 26.5 GHz
- Shielding Effectiveness:  $\geq 100$  dB
- Dielectric Withstanding Voltage: 1500 VRMS
- Compatible with SMA or 2.92mm Connector Series
- Operating Temperature:  $-65^{\circ}\text{C}$  to  $+165^{\circ}\text{C}$

### MECHANICAL

- Mating Cycles: 500 Min
- Coupling Mechanism: Screw-on Coupling
- Mating Torque: 8-10 in-lbs
- Connector interface meets MIL-STD-348B standard



**FAIRVIEW MICROWAVE INC.**

WWW.FAIRVIEWMICROWAVE.COM

TITLE

**3.5mm FEMALE**

SIZE	CAGE CODE	DWG NO	REV
<b>A</b>	<b>3FKR5</b>	<b>3.5mm FEMALE CONNECTOR</b>	<b>A</b>
SCALE	SHEET		

ALL DIMENSIONS IN inches(mm) Typical