

SPECIFICATIONS

ELECTRICAL

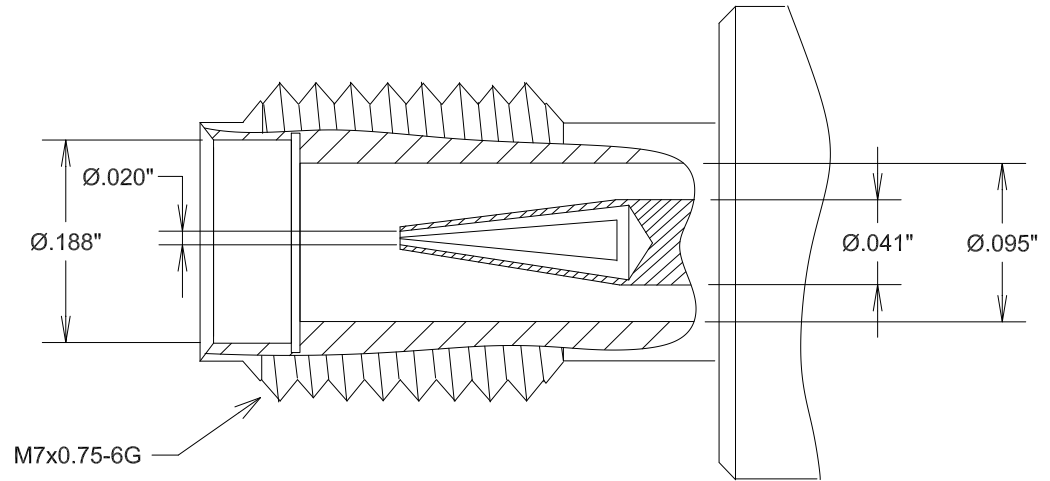
FREQUENCY: DC-40 GHZ
 IMPEDANCE: 50 OHMS

MECHANICAL

MATERIALS BODY: PASSIVATED PER ASTM A380
 MATERIALS CONTACT: PLATED PER MIL-G-45204
 BeCu PER ASTM-B-196
 PER QQ-C-530
 DURABILITY: 500 CYCLES MINIMUM
 TORQUE: 4.0 INCH-OUNCES MINIMUM
 MATING TORQUE: 8-10 INCH LBS

ENVIRONMENTAL
 MIL-STD-202

2.4 F



				FAIRVIEW MICROWAVE INC.	
				ALLEN, TX 75013 WWW.FAIRVIEWMICROWAVE.COM	
				TITLE	
				2.4 F	
SIZE		CAGE CODE	DWG NO		REV
A		3FKR5	2.4-F CONNECTOR		
SCALE			SHEET		