

SPECIFICATIONS

ELECTRICAL

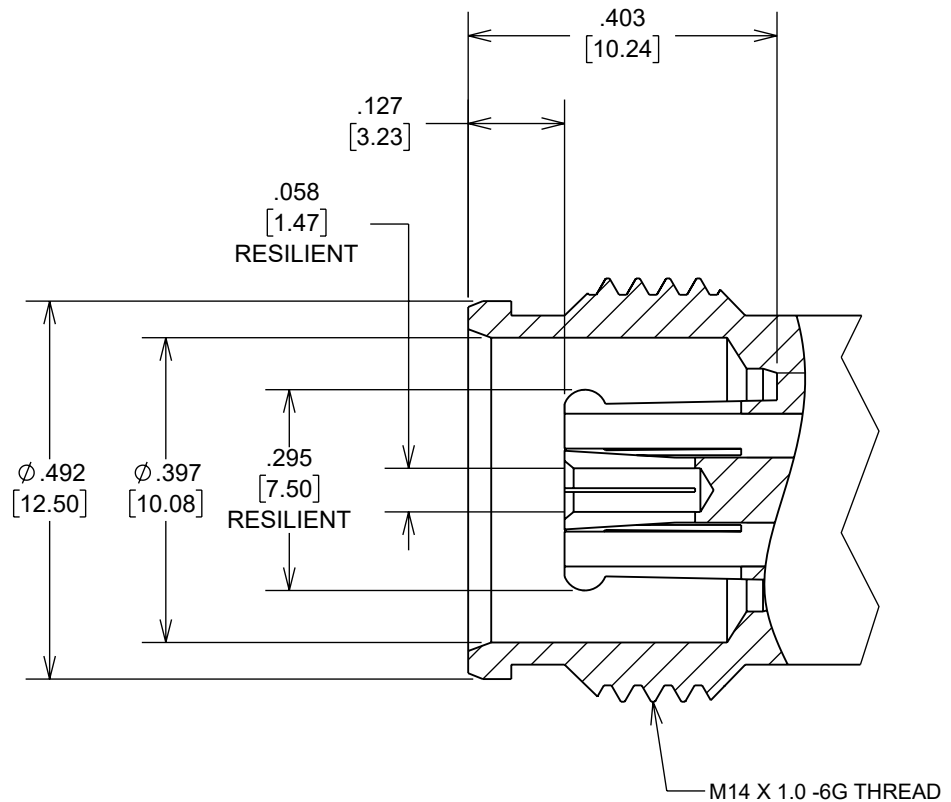
- Frequency Range: DC - 20 GHz
 - Impedance: 50 Ohm
 - Working Voltage: 500 Volts RMS Continuous.
 - Dielectric Withstanding Voltage: 1500 VRMS Min.
 - VSWR (Return Loss)
- Interface
- DC - 3 GHz : 1.025 (-38 dB) Typ
 - 3 - 6 GHz : 1.032 (-36 dB) Typ
- Cable Connector
- DC - 4 GHz : 1.046 (-33 dB) Typ
 - 4 - 6 GHz : 1.065 (-30 dB) Typ
- Insulation Resistance: 3000 MΩ Min
 - Center Contact Resistance: 2 mΩ Min
 - Outer Contact Resistance: 1 mΩ Min
 - RF Leakage: -100 dB Min (DC - 3 GHz)
 - Insertion Loss: .03 √(f(GHz)) dB Max
 - Passive Intermodulation (PIM): -166 dBc @ 2 X 20W
 - Power Handling: 250 W @ 2 GHz @ 40 °C

MECHANICAL

- Mating Cycles: 100 Min
- Coupling Mechanism: Threaded
- Engagement Force: 32 N (7.2 lbs) Typ
- Disengagement Force: 3.3 N (0.75 lbs) Typ
- Mating Torque, Min Working: 26 inch-pounds (3 N-m)

Environmental

- Temperature Range: -40°C to +85°C
- Interface Sealing: IP68 in Mated Condition



FAIRVIEW MICROWAVE INC.

WWW.FAIRVIEWMICROWAVE.COM

TITLE

2.2-5 FEMALE

SIZE	CAGE CODE	DWG NO	REV
A	3FKR5	2.2-5 FEMALE CONNECTOR	A
SCALE		SHEET	

ALL DIMENSIONS IN inches(mm) Typical