

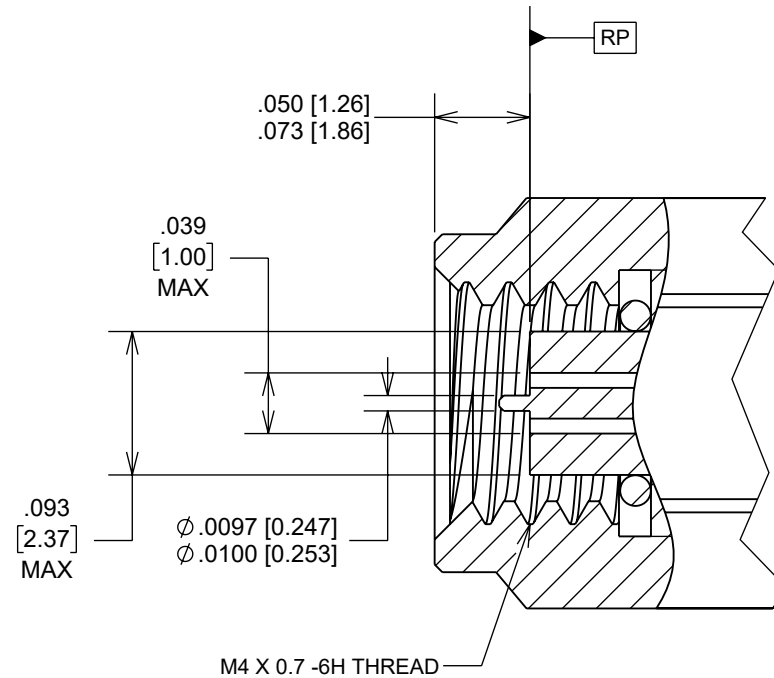
## SPECIFICATIONS

### ELECTRICAL

- Frequency Range: Mode Free up to 110 GHz
- Impedance: 50 Ohm
- Low VSWR
  - DC - 50 GHz : 1.18:1 Max
  - 50 - 110 GHz : 1.25:1 Max
- Low RF Leakage:  $\leq -100$  dB
- Low Insertion Loss: 0.6 dB Max
- Operating Temperature:  $-55^{\circ}\text{C}$  to  $+165^{\circ}\text{C}$

### MECHANICAL

- Mating Cycles: 500 Min
- Mating Torque: 3-5 in-lbs



**FAIRVIEW MICROWAVE INC.**

WWW.FAIRVIEWMICROWAVE.COM

TITLE

**1mm MALE**

SIZE	CAGE CODE	DWG NO	REV
<b>A</b>	<b>3FKR5</b>	<b>1mm MALE CONNECTOR</b>	<b>A</b>
SCALE		SHEET	

ALL DIMENSIONS IN inches(mm) Typical