

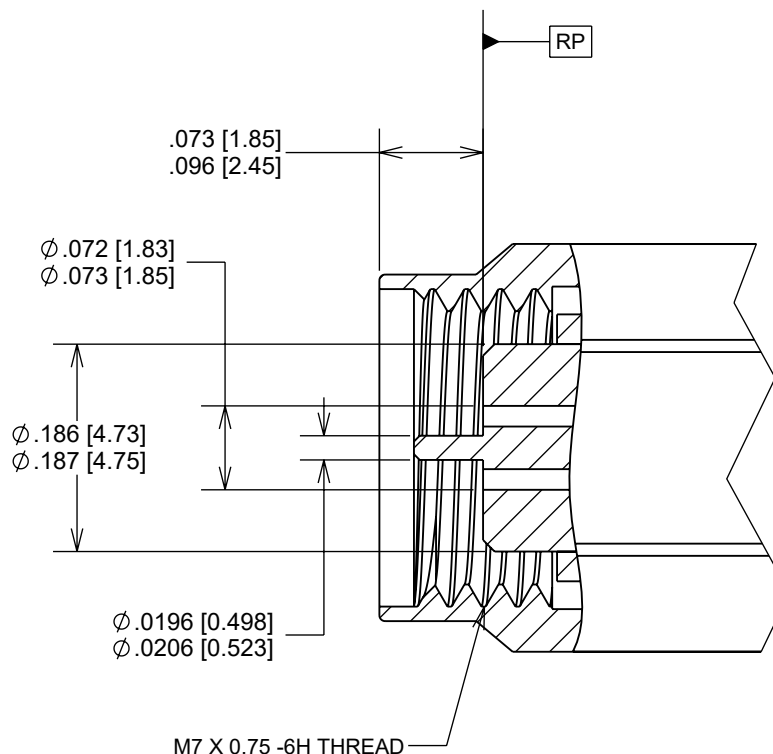
## SPECIFICATIONS

### ELECTRICAL

- Frequency Range: DC to 67 GHz
- Impedance: 50 Ohm
- Dielectric: Air
- Ruggedized Construction for Repeatability and Reliability
- Low VSWR
  - DC - 27 GHz : 1.10:1 Max
  - 27 - 40 GHz : 1.15:1 Max
  - 40 - 50 GHz : 1.18:1 Max
  - 50 - 67 GHz : 1.25:1 Max
- Low RF Leakage and Shielding Effectiveness:  $\geq -100$  dB
- Low Insertion Loss
- Compatible with 2.4mm Connector Series
- Operating Temperature:  $-65^{\circ}\text{C}$  to  $+165^{\circ}\text{C}$

### MECHANICAL

- Mating Cycles: 500 Min
- Coupling Mechanism: Screw-on Coupling
- Mating Torque: 5-7 in-lbs



**FAIRVIEW MICROWAVE INC.**

WWW.FAIRVIEWMICROWAVE.COM

TITLE

**1.85mm MALE**

SIZE	CAGE CODE	DWG NO	REV
<b>A</b>	<b>3FKR5</b>	<b>1.85mm MALE CONNECTOR</b>	<b>A</b>
SCALE		SHEET	

ALL DIMENSIONS IN inches(mm) Typical