

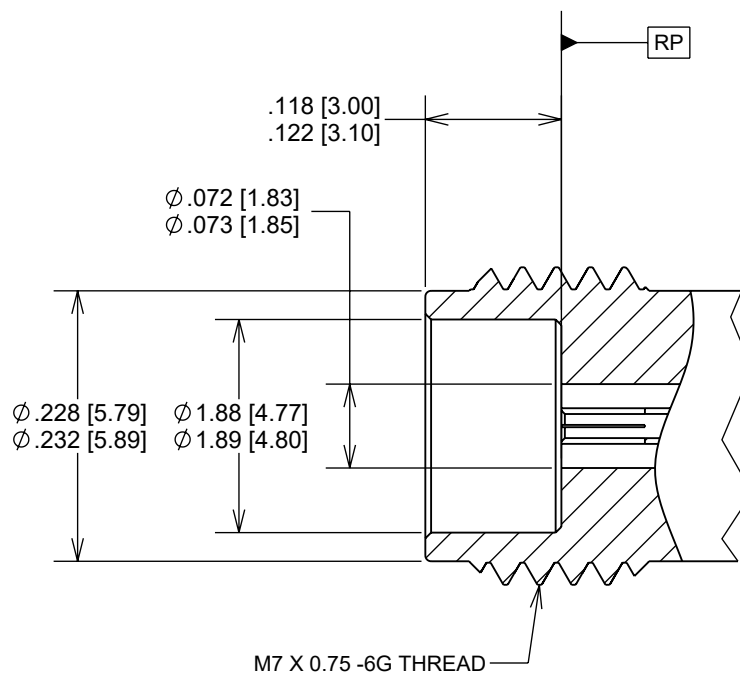
SPECIFICATIONS

ELECTRICAL

- Frequency Range: DC to 67 GHz
- Impedance: 50 Ohm
- Dielectric: Air
- Ruggedized Construction for Repeatability and Reliability
- Low VSWR
 - DC - 27 GHz : 1.10:1 Max
 - 27 - 40 GHz : 1.15:1 Max
 - 40 - 50 GHz : 1.18:1 Max
 - 50 - 67 GHz : 1.25:1 Max
- Low RF Leakage and Shielding Effectiveness: ≥ -100 dB
- Low Insertion Loss
- Compatible with 2.4mm Connector Series
- Operating Temperature: -65°C to $+165^{\circ}\text{C}$

MECHANICAL

- Mating Cycles: 500 Min
- Coupling Mechanism: Screw-on Coupling
- Mating Torque: 5-7 in-lbs



FAIRVIEW MICROWAVE INC.			
WWW.FAIRVIEWMICROWAVE.COM			
TITLE			
1.85mm FEMALE			
SIZE	CAGE CODE	DWG NO	REV
A	3FKR5	1.85mm FEMALE CONNECTOR	A
SCALE		SHEET	

ALL DIMENSIONS IN inches(mm) Typical