

# SPECIFICATIONS

## ELECTRICAL

50 Ohm

- Frequency Range: DC - 10 GHz
- Impedance: 50 Ohm
- Working Voltage: 250 Volts RMS Max Continuous.
- Dielectric Withstanding Voltage: 750 VRMS Max.
- VSWR (Return Loss)
  - DC - 1 GHz : 1.052 (-32 dB) Max
  - 1 - 4 GHz : 1.15 (-23 dB) Max
  - 4 - 10 GHz : 1.38 (-16 dB) Max
- Insulation Resistance: 10000 MΩ Min
- Center Contact Resistance: 6 mΩ Min
- Outer Contact Resistance: 3 mΩ Min
- RF Leakage: -90 dB Min (DC - 1 GHz)
- Insertion Loss:  $.1 \sqrt{f(\text{GHz})}$  dB Max
- Power Handling: 133 W @ 1 GHz @ 25 °C

75 Ohm

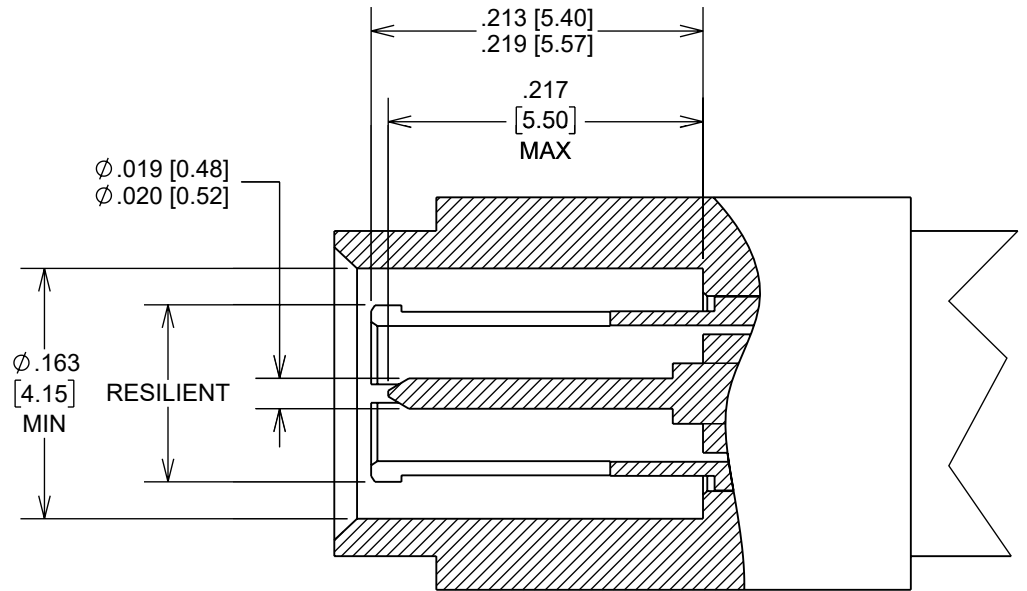
- Frequency Range: DC- 3 GHz (0 - 12 GHz on Extended Range Designs)
- Impedance: 75 Ohm
- Working Voltage: 250 Volts RMS Max Continuous.
- Dielectric Withstanding Voltage: 750 VRMS Max.
- VSWR (Return Loss)
  - DC - 2 GHz : 1.22 (-20 dB) Typ
- Insulation Resistance: 10000 MΩ Min
- Center Contact Resistance: 6 mΩ Min
- Outer Contact Resistance: 3 mΩ Min
- RF Leakage: -90 dB Min (DC - 1 GHz)
- Insertion Loss:  $.1 \sqrt{f(\text{GHz})}$  dB Max
- Power Handling: 133 W @ 1 GHz @ 25 °C

## MECHANICAL

- Mating Cycles: 500 Min
- Coupling Mechanism: Push-Pull

## Environmental

- Temperature Range: -40°C to +155°C



**FAIRVIEW MICROWAVE INC.**

WWW.FAIRVIEWMICROWAVE.COM

TITLE

**1.0/2.3 PLUG**

SIZE	CAGE CODE	DWG NO	REV
<b>A</b>	<b>3FKR5</b>	<b>1.0/2.3 PLUG CONNECTOR</b>	<b>A</b>
SCALE	SHEET		

ALL DIMENSIONS IN inches(mm) Typical