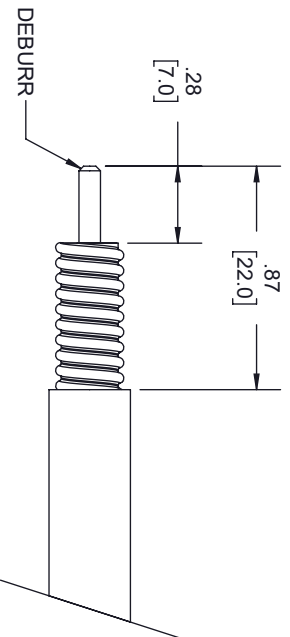
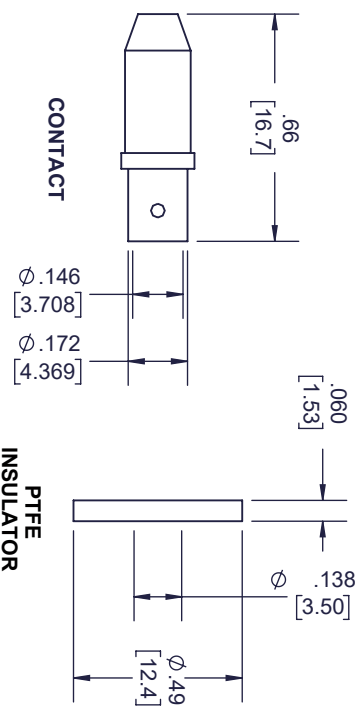
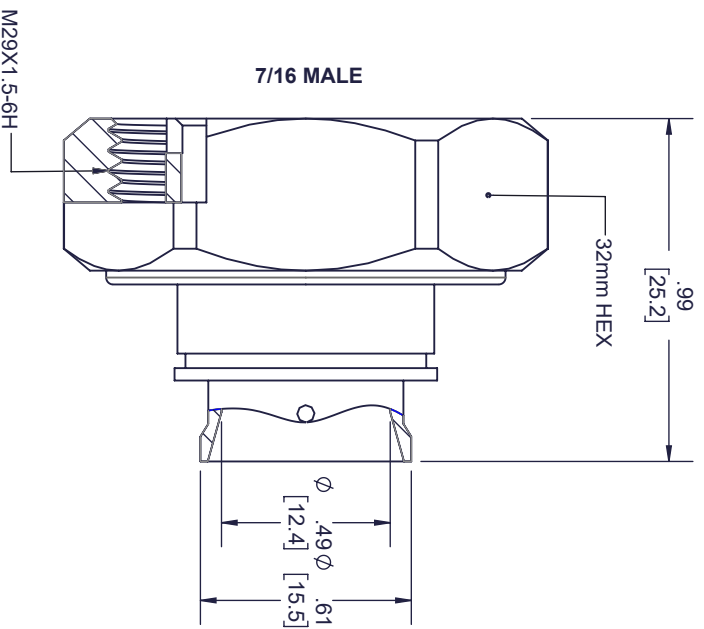
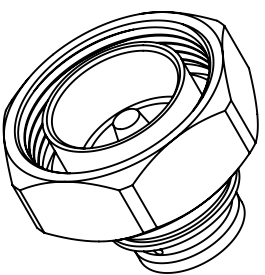
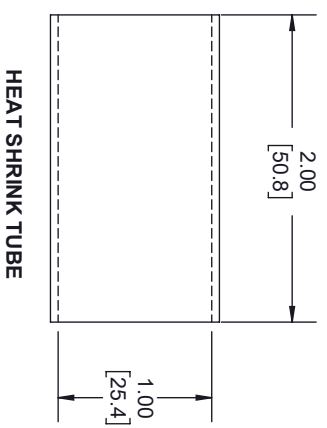


REVISIONS			
REV.	DESCRIPTION	DATE	APPROVED
A	INITIAL RELEASE	11/6/2020	S. ELLIS



STRIPPING DIMENSIONS

- NOTES:
- CABLE ATTACHMENT:
 - OUTER: SOLDER.
 - INNER: SOLDER.



THESE COMMODITIES, TECHNOLOGY OR SOFTWARE WERE EXPORTED FROM THE UNITED STATES IN ACCORDANCE WITH THE EXPORT ADMINISTRATION REGULATIONS, DIVERSION CONTRARY TO U.S. LAW PROHIBITED.



TITLE

UNLESS OTHERWISE SPECIFIED LEADING DIMENSIONS ARE INCHES				THIRD-ANGLE PROJECTION	
DIMENSIONS IN [] ARE MILLIMETERS					
TOLERANCES:				THE INFORMATION AND DESIGN IN THIS DOCUMENT IS THE PROPERTY OF FAIRVIEW MICROWAVE CORPORATION. ALL RIGHTS RESERVED.	
CABLE LENGTH (L) TOLERANCES:		CABLE LENGTH (L) TOLERANCES:		SHEET 1 OF 1	
L ± 1/2 (806) = +1 (25) / -0		L ± 1/2 (806) = +1 (25) / -0		SCALE N/A	
12 (305) < L ≤ 60 (1524) = +2 (51) / -0		12 (305) < L ≤ 60 (1524) = +2 (51) / -0		REV A	
60 (1524) < L ≤ 120 (3048) = +4 (102) / -0		60 (1524) < L ≤ 120 (3048) = +4 (102) / -0		DRAWN BY K.DANG	
120 (3048) < L ≤ 300 (7620) = +6 (152) / -0		120 (3048) < L ≤ 300 (7620) = +6 (152) / -0		ITEM NO. TC-500-716M-LP	
300 (7620) < L = +5%L / -0		300 (7620) < L = +5%L / -0		GAGE CODE 3FKRS	
FRACTIONS ± 1/32		FRACTIONS ± 1/32		SIZE A	
ANGLES ± 1°		ANGLES ± 1°		DRAWN BY K.DANG	
XXX = ±.005 [.13]		XXX = ±.005 [.13]		ITEM NO. TC-500-716M-LP	
X = ±.2 [5.08]		X = ±.2 [5.08]		REV A	
XX = ±.02 [.51]		XX = ±.02 [.51]		GAGE CODE 3FKRS	
ALL DIMENSIONS SHOWN ARE FOR REFERENCE ONLY.		ALL DIMENSIONS SHOWN ARE FOR REFERENCE ONLY.		ITEM NO. TC-500-716M-LP	
SIZE A		GAGE CODE 3FKRS		REV A	