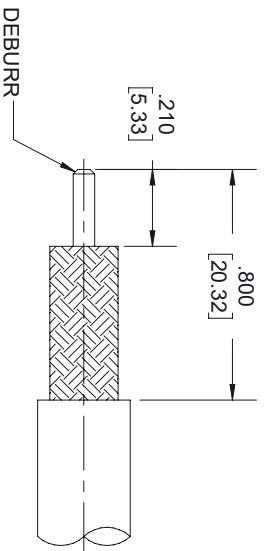
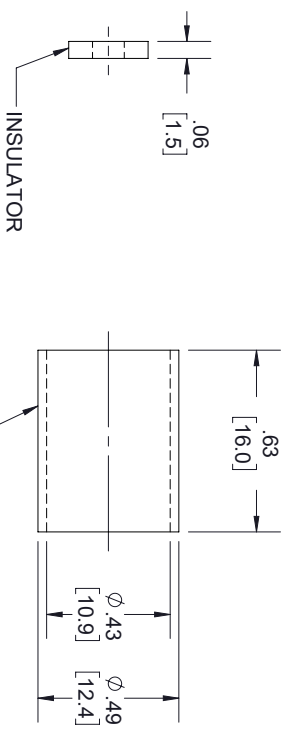
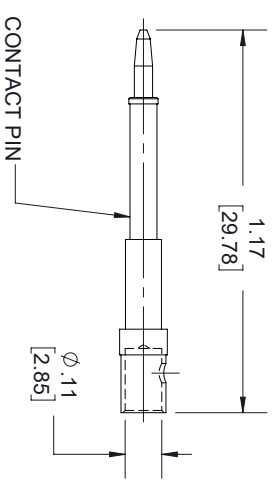
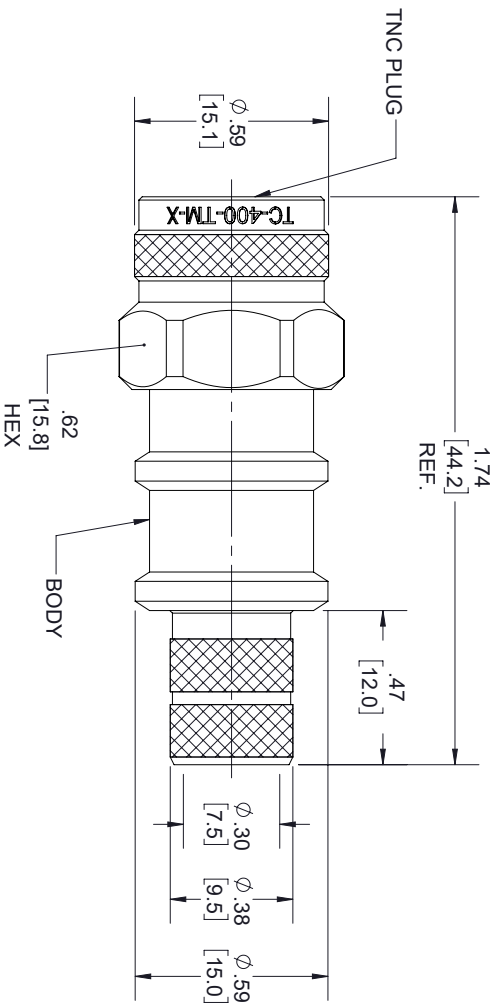
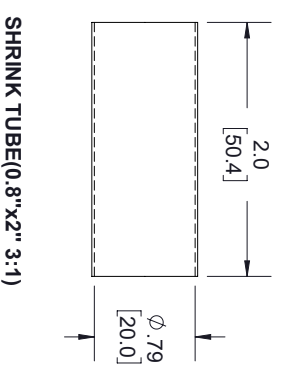


REVISIONS			
REV.	DESCRIPTION	DATE	APPROVED
A	PCR TC-400-TM-X 202200629	07/03/20	SRAUTUS



RECOMMENDED CABLE
STRIPPING DIMENSIONS

CABLE ATTACHMENT:
INNER: SOLDER
OUTER: CRIMP.



THESE COMMODITIES, TECHNOLOGY OR SOFTWARE WERE EXPORTED FROM THE UNITED STATES IN ACCORDANCE WITH THE EXPORT ADMINISTRATION REGULATIONS, DIVERSION CONTRARY TO U.S. LAW PROHIBITED.



TITLE

UNLESS OTHERWISE SPECIFIED LEADING DIMENSIONS ARE INCHES DIMENSIONS IN [] ARE MILLIMETERS				THIRD-ANGLE PROJECTION			
TOLERANCES:				THE INFORMATION AND DESIGN IN THIS DOCUMENT IS THE PROPERTY OF FAIRVIEW MICROWAVE CORPORATION. ALL RIGHTS RESERVED.			
CABLE LENGTH (L) TOLERANCES:				SHEET 1 OF 1			
L ≤ 12 [305] = +1 [25] / -0				SCALE N/A			
12 [305] < L ≤ 60 [1524] = +2 [51] / -0				REV A			
60 [1524] < L ≤ 120 [3048] = +4 [102] / -0				ITEM NO. TC-400-TM-X			
120 [3048] < L ≤ 300 [7620] = +6 [152] / -0				DRAWN BY SLI			
300 [7620] < L = +5% / -0				CAGE CODE 3FKR5			
X = ±.2 [5.08] FRACTIONS ±.132				SIZE A			
XX = ±.02 [.51] ±.132				ALL DIMENSIONS SHOWN ARE FOR REFERENCE ONLY.			
XXX = ±.005 [0.13] ANGLES ± 1°				REV A			