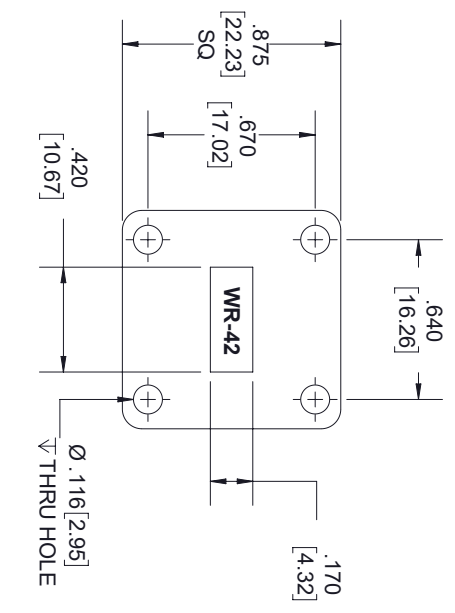
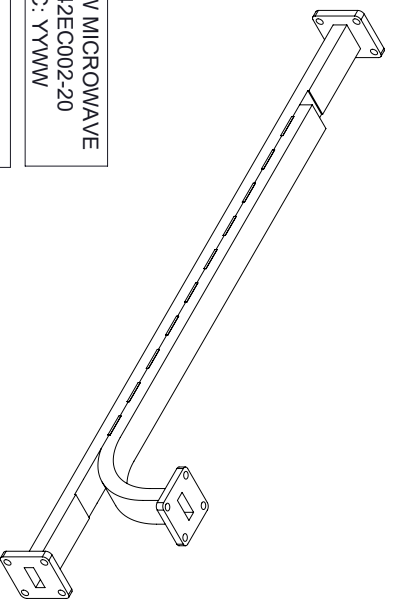


UG-595/U SQUARE FLANGE  
WR-42  
3X



FLANGE DETAIL

**LABEL**  
FAIRVIEW MICROWAVE  
SMW42EC002-20  
D/C: YYWW

**STANDARD TOLERANCES**  
.X ±0.2  
.XX ±0.01  
.XXX ±0.005

\*STANDARD TOLERANCES APPLY ONLY TO DIMENSIONS IN INCHES



NOTES:  
1. UNLESS OTHERWISE SPECIFIED ALL DIMENSIONS ARE NOMINAL.  
2. ALL SPECIFICATIONS ARE SUBJECT TO CHANGE WITHOUT NOTICE AT ANY TIME.  
3. DIMENSIONS ARE IN INCHES [mm].

TITLE		DWG NO		CAGE CODE	
		SMW42EC002-20		3FKR5	
CAD FILE	08/27/19	SHEET	1 OF 1	SCALE	N/A
				SIZE	A
					7361