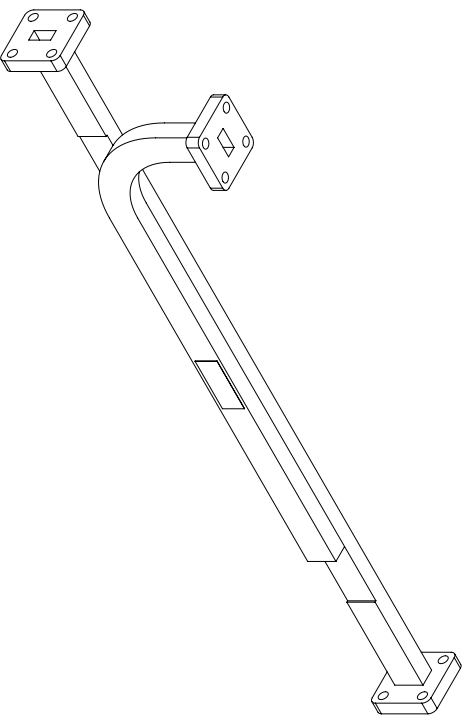
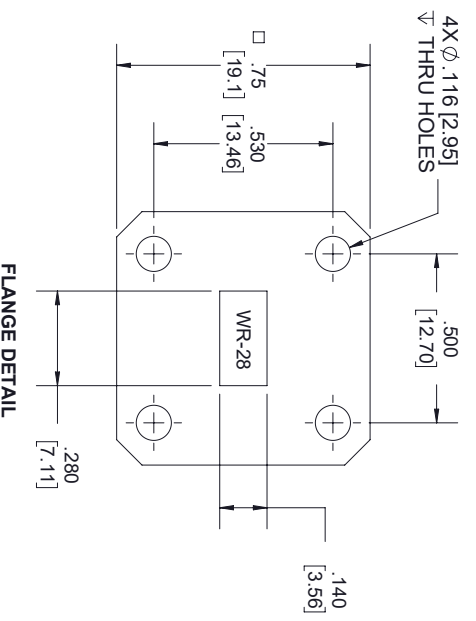
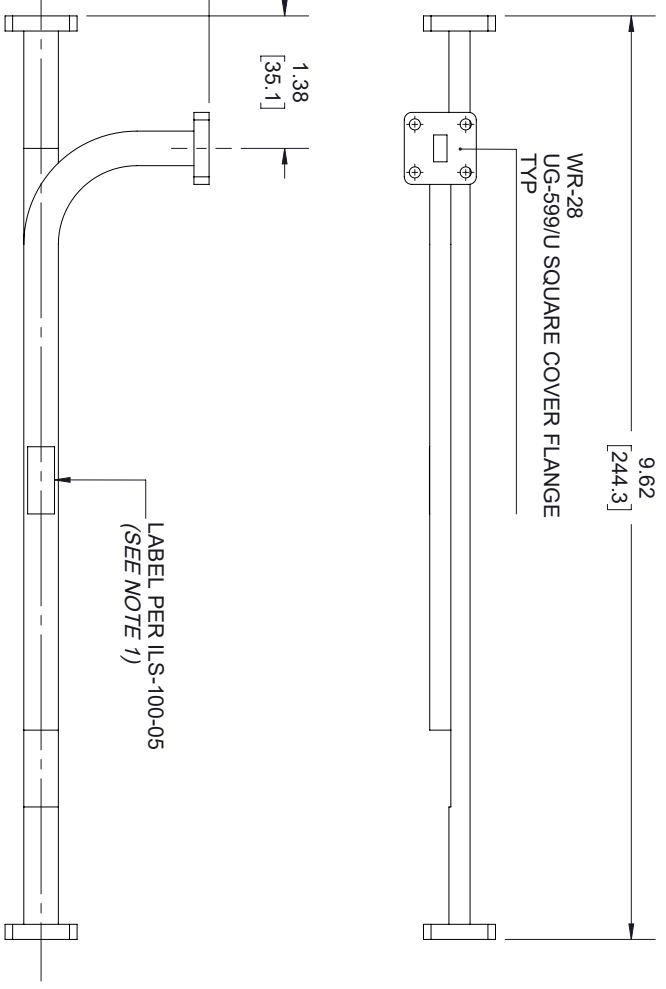


REVISIONS			
REV.	DESCRIPTION	DATE	APPROVED
A	PCR SMW28HC001-10	4/5/2021	S.PONG



- NOTES:**
- LABEL PER ILS-100-05. FOR INTERNAL USE ONLY.
LABEL LOCATION FOR REFERENCE ONLY.

THESE COMMODITIES, TECHNOLOGY OR SOFTWARE WERE EXPORTED FROM THE UNITED STATES IN ACCORDANCE WITH THE EXPORT ADMINISTRATION REGULATIONS, DIVERSION CONTRARY TO U.S. LAW PROHIBITED.



UNLESS OTHERWISE SPECIFIED LEADING DIMENSIONS ARE INCHES		THIRD-ANGLE PROJECTION	
DIMENSIONS IN [] ARE MILLIMETERS			
TOLERANCES:		THE INFORMATION AND DESIGN IN THIS DOCUMENT IS THE PROPERTY OF FAIRVIEW MICROWAVE CORPORATION. ALL RIGHTS RESERVED.	
X ± .02 [.51] XX ± .005 [.13] ANGLES ± 1°	FRACTIONS ± 1/32 12 [305] < L ≤ 60 [1524] = +.2 [51] / -0 60 [1524] < L ≤ 120 [3048] = +.4 [102] / -0 120 [3048] < L ≤ 300 [7620] = +.6 [152] / -0 300 [7620] < L = +5%L / -0	SCALE	
ALL DIMENSIONS SHOWN ARE FOR REFERENCE ONLY.		N/A	

SIZE	GAGE CODE	DRAWN BY	ITEM NO.	REV
A	3FKRS	K.DANG	SMW28HC001-10	A