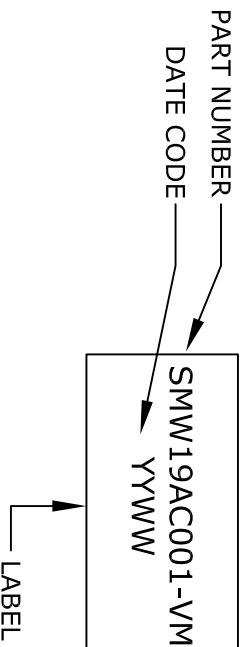
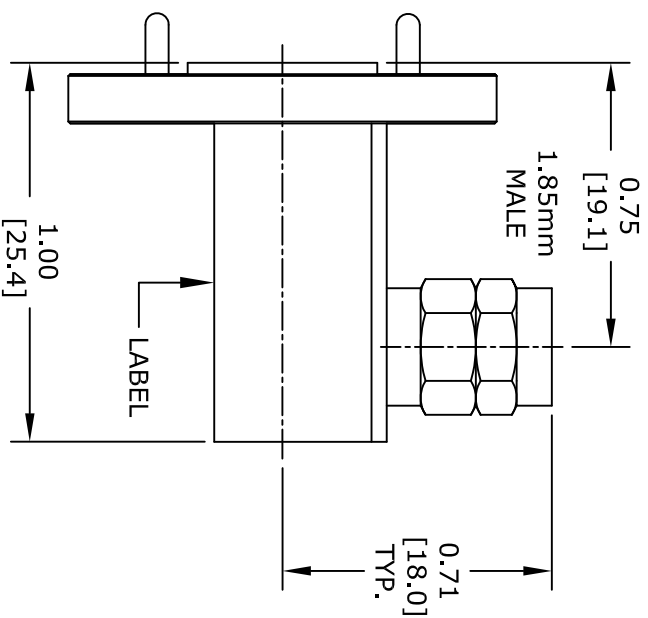
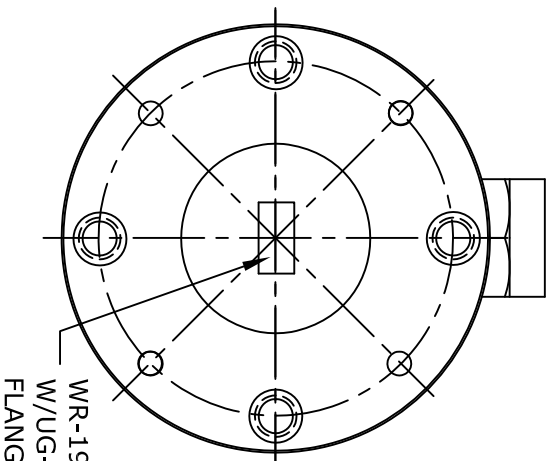
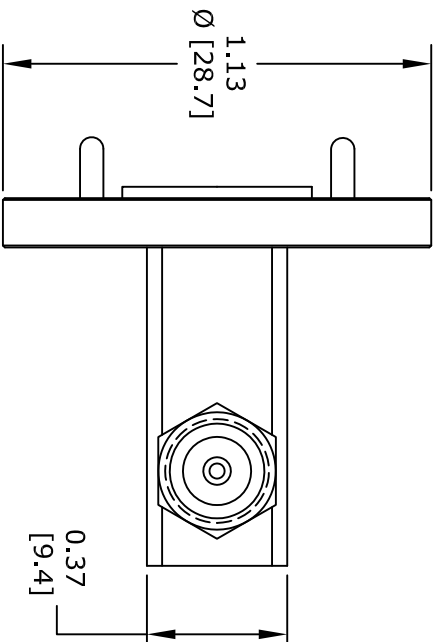


UNLESS OTHERWISE SPECIFIED DIMENSIONS ARE IN INCHES. TOLERANCES ARE:		
DECIMALS	ANGLES	FRACTIONS
.XX ± .03	± 1°	± 1/16
.XXX ± .010		
<u>HOLE DIAMETER</u>	<u>TOLERANCE</u>	
.0135 TO .125	+ .004/- .001	
.126 TO .250	+ .005/- .001	
.251 TO .500	+ .006/- .001	
.501 TO .750	+ .008/- .001	
.751 TO 1.000	+ .010/- .001	
1.001 TO 2.000	+ .012/- .001	

\* THESE DIMENSIONS AND TOLERANCES SUPERSEDE NOTE #1 ON TITLE BLOCK.



# FAIRVIEW MICROWAVE INC.

ALLEN, TX 75013 WWW.FAIRVIEWMICROWAVE.COM

NOTES:  
1. UNLESS OTHERWISE SPECIFIED ALL DIMENSIONS ARE NOMINAL.  
2. ALL SPECIFICATIONS ARE SUBJECT TO CHANGE WITHOUT NOTICE AT ANY TIME.  
3. DIMENSIONS ARE IN INCHES [mm].

TITLE		DWG NO		CAGE CODE	
		SMW19AC001-VM		3FKRS	
CAD FILE	101915	SHEET		SCALE	N/A
				SIZE	A
					150