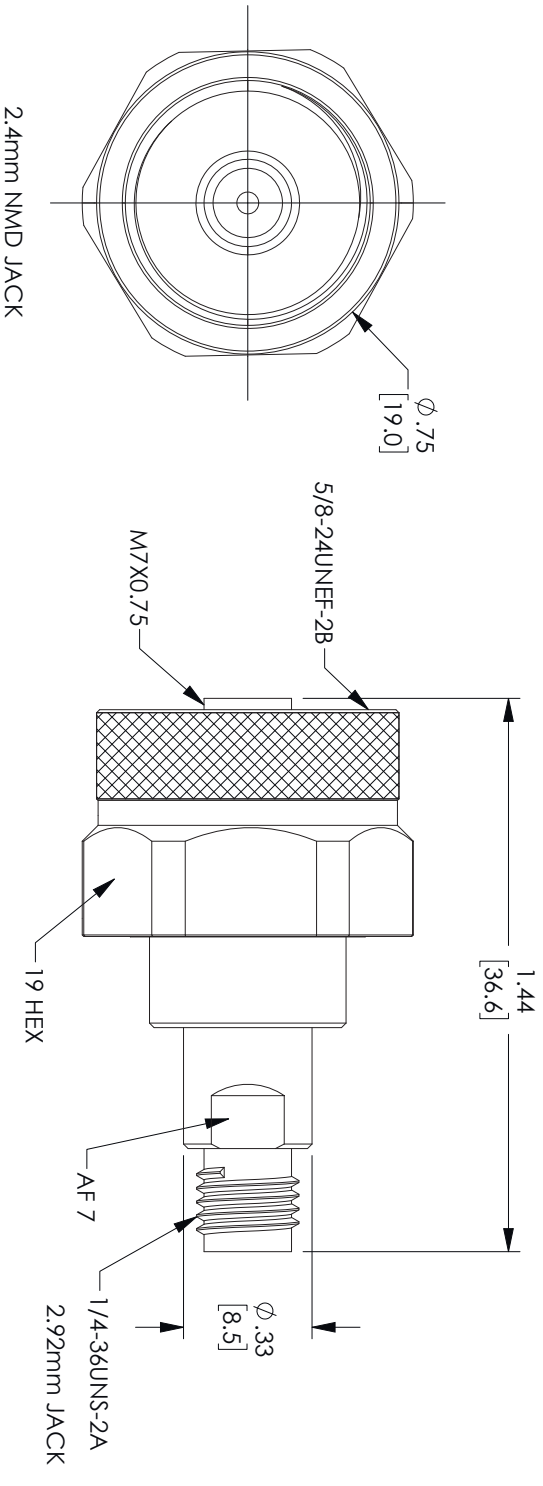
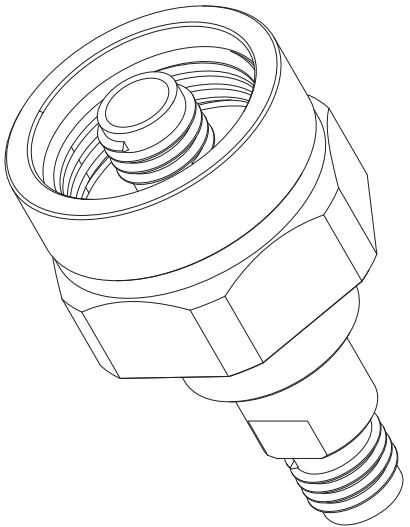


| REVISIONS |                 |           |          |
|-----------|-----------------|-----------|----------|
| REV.      | DESCRIPTION     | DATE      | APPROVED |
| A         | INITIAL RELEASE | 8/17/2021 | BWOODS   |



THESE COMMODITIES, TECHNOLOGY OR SOFTWARE WERE EXPORTED FROM THE UNITED STATES IN ACCORDANCE WITH THE EXPORT ADMINISTRATION REGULATIONS, DIVERSION CONTRARY TO U.S. LAW PROHIBITED.



TITLE

|   |           |                              |   |   |     |
|---|-----------|------------------------------|---|---|-----|
| UNLESS OTHERWISE SPECIFIED LEADING DIMENSIONS ARE INCHES<br>DIMENSIONS IN [ ] ARE MILLIMETERS |           |                              |   | THIRD-ANGLE PROJECTION  |     |
| TOLERANCES:   |           |                              |   | THE INFORMATION AND DESIGN IN THIS DOCUMENT IS THE PROPERTY OF FAIRVIEW MICROWAVE CORPORATION. ALL RIGHTS RESERVED. |     |
| CABLE LENGTH (L) TOLERANCES:  |           | CABLE LENGTH (L) TOLERANCES: |   | SCALE   |     |
| X = +.2   | [.08]     | FRACTIONS                    | 12 [305] < L ≤ 60 [1524] = +.2 [51] / -.0     | 1   |     |
| XX = +.02   | [.51]     | ± 1/32                       | 60 [1524] < L ≤ 120 [3048] = +.4 [102] / -.0  | OF  |     |
| XXX = +.005   | [.13]     | ANGLES ± 1°                  | 120 [3048] < L ≤ 300 [7620] = +.6 [152] / -.0 | 1   |     |
|   |           |                              | 300 [7620] < L = +5%L / -.0                   | 1   |     |
| ALL DIMENSIONS SHOWN ARE FOR REFERENCE ONLY.  |           |                              |   | N/A   |     |
| SIZE  | GAGE CODE | DRAWN BY                     | ITEM NO.                                      | REV   | REV |
| A   | 3FKRS     | DMAY                         | SM9974  | A   | A   |