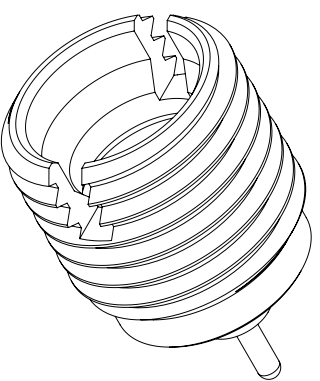
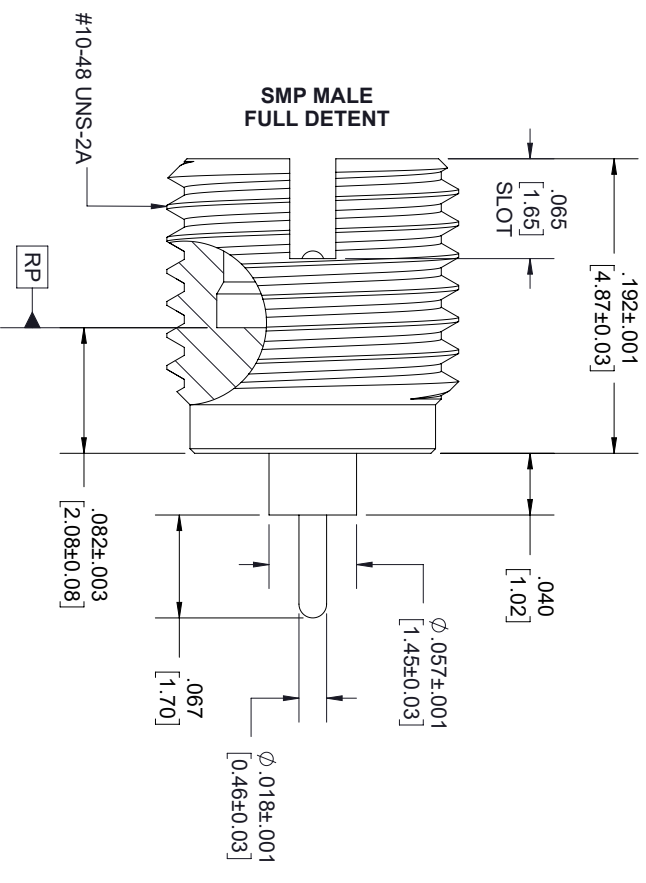
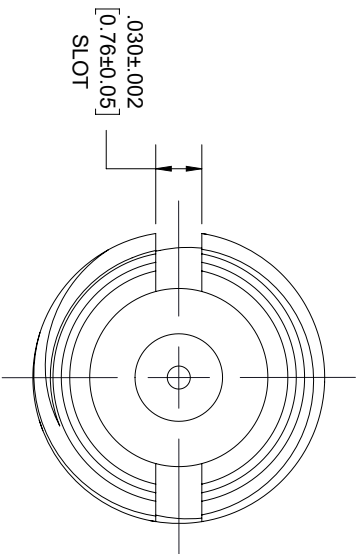


REVISIONS			
REV.	DESCRIPTION	DATE	APPROVED
A	PCR PE44912	4/5/2021	S. ELLIS



THESE COMMODITIES, TECHNOLOGY OR SOFTWARE WERE EXPORTED FROM THE UNITED STATES IN ACCORDANCE WITH THE EXPORT ADMINISTRATION REGULATIONS, DIVERSION CONTRARY TO U.S. LAW PROHIBITED.



UNLESS OTHERWISE SPECIFIED LEADING DIMENSIONS ARE INCHES  
DIMENSIONS IN [ ] ARE MILLIMETERS

CABLE LENGTH (L) TOLERANCES:



THE INFORMATION AND DESIGN IN THIS DOCUMENT IS THE PROPERTY OF FAIRVIEW MICROWAVE CORPORATION. ALL RIGHTS RESERVED.

TOLERANCES:	FRACTIONS	ANGLES ± 1°
X = ±.2	[.008]	
XX = ±.02	[.51]	
XXX = ±.005	[.13]	

L	± 1/2	5/16	1/4	3/16	1/8	3/32	1/16
L ≤ 12	[.005]						
12 < L ≤ 60	[.004]						
60 < L ≤ 120	[.003]						
120 < L ≤ 300	[.002]						
300 < L	[.001]						

SIZE	GAGE CODE	DRAWN BY	ITEM NO.	SCALE	REV
A	3FKR5	K.DANG	SC5504	N/A	A

ALL DIMENSIONS SHOWN ARE FOR REFERENCE ONLY.