

6

5

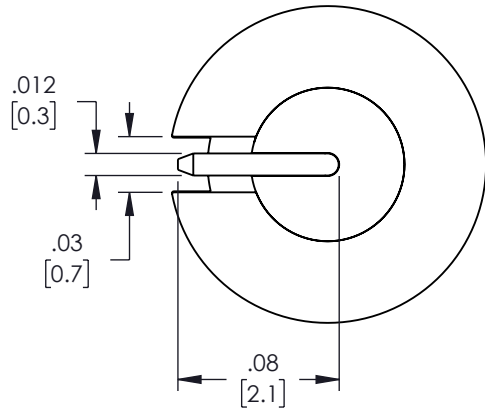
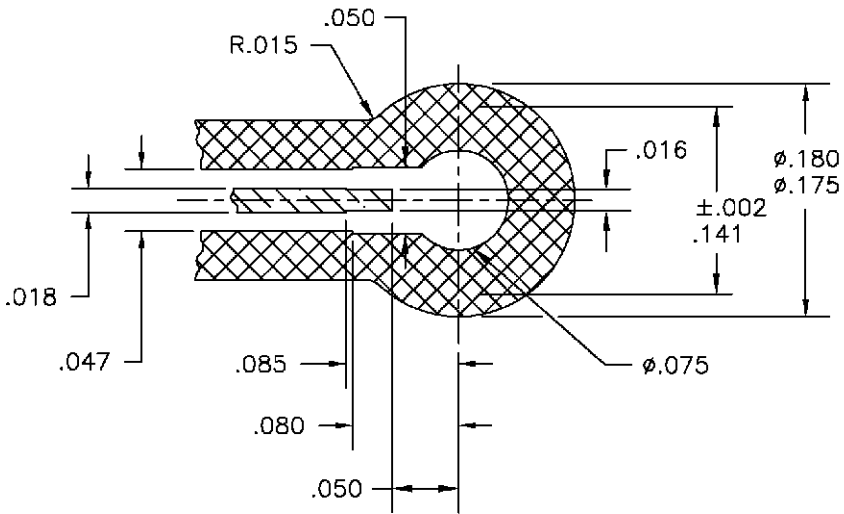
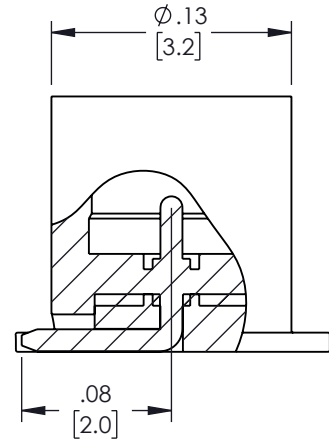
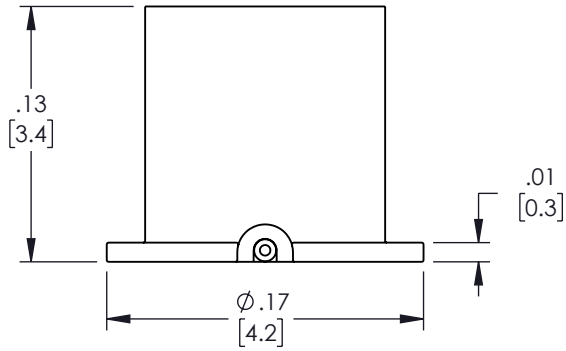
4

3

2

1

REVISION					
ZONE	REV.	DESCRIPTION	DATE	CHANGED BY	APPROVED
	D	ECO-12297: ADD LANDING VIEW	01/03/2023	DMAY	AGANWANI



LANDING PATTERN

\* THE ABOVE DIMENSIONS ARE GUIDELINES ONLY FOR LANDING PATTERN. CHANGES MAY BE REQUIRED DUE TO DIFFERENT BOARD MATERIALS, PROCESSES, TYPE OF BRAZE, SOLDER OR EPOXY.

THE INFORMATION CONTAINED IN THIS DRAWING IS THE SOLE PROPERTY OF INFINITE ELECTRONICS, INC. ANY REPRODUCTION IN PART OR WHOLE WITHOUT THE WRITTEN PERMISSION OF INFINITE ELECTRONICS, INC. IS PROHIBITED. THESE COMMODITIES, TECHNOLOGY OR SOFTWARE WERE EXPORTED FROM THE UNITED STATES IN ACCORDANCE WITH THE EXPORT ADMINISTRATION REGULATIONS. DIVERSION CONTRARY TO U.S. LAW PROHIBITED.

UNLESS OTHERWISE SPECIFIED LEADING DIMENSIONS ARE INCHES DIMENSIONS IN [ ] ARE MILLIMETERS

TOLERANCES:

.X = ±.2 [5]      FRACTIONS  
 .XX = ±.02 [.5]      ± 1/32  
 .XXX = ±.005 [.13]      ANGLES ± 1°

CABLE LENGTH TOLERANCES:

>12 [305] = +1 [25] / -0  
 >12 [305] ≤ 60 [1524] = +2 [51] / -0  
 >60 [1524] ≤ 120 [3048] = +4 [102] / -0  
 >120 [3048] ≤ 300 [7620] = +6 [152] / -0  
 >300 [7620] = +5% / -0

ALL DIMENSIONS ARE FOR REFERENCE ONLY AND SUBJECT TO CHANGE WITHOUT NOTICE.



Website: [www.FairviewMicrowave.com](http://www.FairviewMicrowave.com)  
 Phone: 1.800.715.4396 | 1.972.649.6678



INTERPRET ALL DIMENSIONS AND TOLERANCES PER ASME Y14.5

SCALE NONE      SHEET 1 OF 1

DESCRIPTION  
**RIGHT ANGLE SMP MALE FULL DETENT PCB CONNECTOR SURFACE MOUNT SOLDER ATTACHMENT**

SIZE A	CAGE CODE 3FKR5	DRAWN BY DMAY	ITEM NO. SC5462	REV D
-----------	--------------------	------------------	--------------------	----------

6

5

4

3

2

1