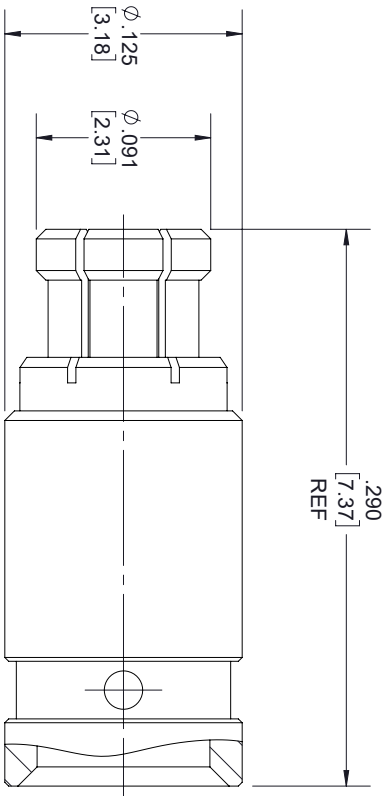
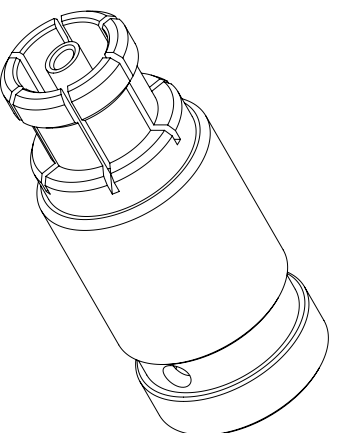
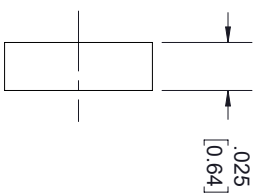


| REVISIONS |                             |          |          |
|-----------|-----------------------------|----------|----------|
| REV.      | DESCRIPTION                 | DATE     | APPROVED |
| A         | PCR PE44974 SC5431 20220916 | 09/30/20 | SRAUTUS  |



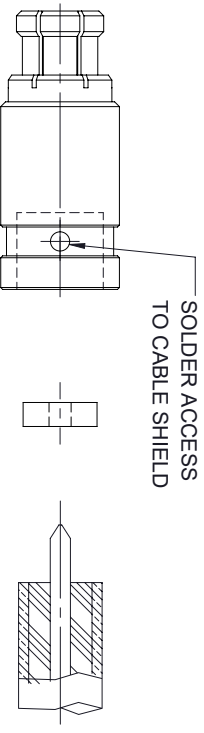
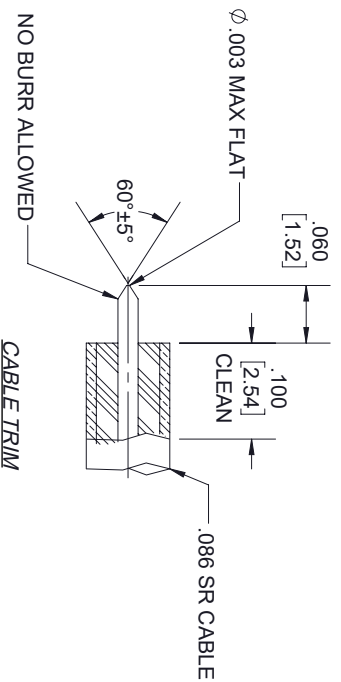
Mini SMP  
FEMALE



**ASSEMBLY PROCEDURES:**

1. TRIM CABLE OUTER CONDUCTOR AND DIELECTRIC TO DIMENSION SHOWN. DO NOT NICK CENTER CONDUCTOR.
2. CLEAN CABLE OUTER CONDUCTOR USING FINE GRAIN SANDPAPER OR STEEL WOOL AS SHOWN.

3. SLIDE DIELECTRIC BEAD ONTO CENTER CONDUCTOR UNTIL IT SEATS AGAINST CABLE.
4. FULLY INSTALL CABLE SUBASSEMBLY INTO BODY AND SOLDER IN PLACE. ENSURE THE CABLE JACKET IS AGAINST CABLE STOP PRIOR TO SOLDERING.



THESE COMMODITIES, TECHNOLOGY OR SOFTWARE WERE EXPORTED FROM THE UNITED STATES IN ACCORDANCE WITH THE EXPORT ADMINISTRATION REGULATIONS. DIVERSION CONTRARY TO U.S. LAW PROHIBITED.



TITLE

|  |                 |   |                 |
|--|-----------------|---|-----------------|
| UNLESS OTHERWISE SPECIFIED LEADING DIMENSIONS ARE INCHES |                 | THIRD-ANGLE PROJECTION  |                 |
| DIMENSIONS IN [ ] ARE MILLIMETERS                        |                 |   |                 |
| TOLERANCES:  |                 | THE INFORMATION AND DESIGN IN THIS DOCUMENT IS THE PROPERTY OF FAIRVIEW MICROWAVE CORPORATION. ALL RIGHTS RESERVED. |                 |
| CABLE LENGTH (L) TOLERANCES:                             |                 | SHEET 1 OF 1  |                 |
| X = ±.2 [5.08]   | FRACTIONS ±.132 | L ≤ 12 [305] = ±1 [25] /-0  | SCALE N/A       |
| XX = ±.02 [.51]  | ANGLES ± 1°     | 12 [305] < L ≤ 60 [1524] = +2 [51] /-0  | REV A           |
| XXX = ±.005 [0.13]                                       |                 | 60 [1524] < L ≤ 120 [3048] = +4 [102] /-0   |                 |
|  |                 | 120 [3048] < L ≤ 300 [7620] = +6 [152] /-0  |                 |
|  |                 | 300 [7620] < L = +5% /-0  |                 |
| SIZE A   | CAGE CODE 3FKR5 | DRAWN BY SLI  | ITEM NO. SC5431 |
| ALL DIMENSIONS SHOWN ARE FOR REFERENCE ONLY.             |                 |   |                 |