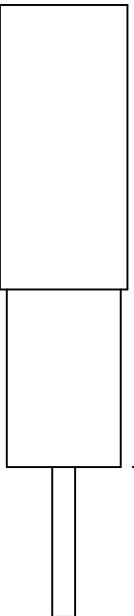
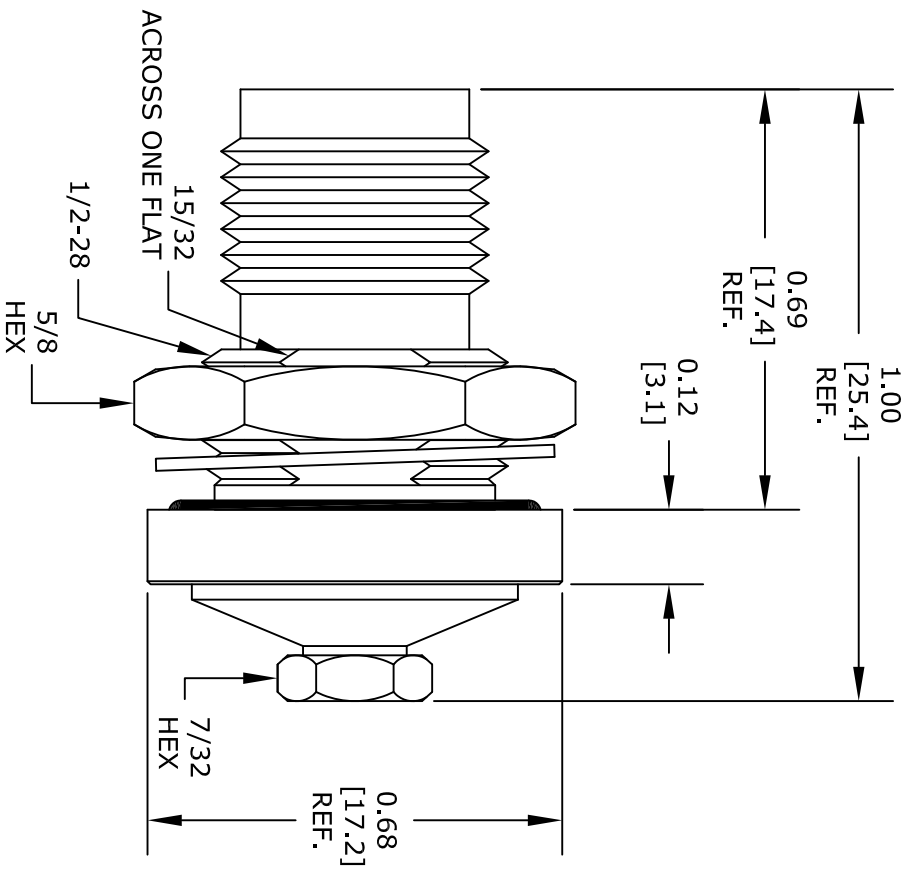


MOUNTING HOLE



ASSEMBLY PROCEDURES

1. STRIP CABLE AS SHOWN
2. SLIDE BACK NUT AND SOLDER BARREL OVER CABLE
3. PLACE THE INSULATOR DISC (TEFLON) ONTO THE CENTER CONDUCTOR, SOLDER BULLET CONTACT
4. INSERT CABLE ASSEMBLY INTO REAR OF CONNECTOR, THREAD BACK NUT UNTIL BOTTOMED

STRIPPING DIMENSIONS



NOTES:
 1. UNLESS OTHERWISE SPECIFIED ALL DIMENSIONS ARE NOMINAL.
 2. ALL SPECIFICATIONS ARE SUBJECT TO CHANGE WITHOUT NOTICE AT ANY TIME.
 3. DIMENSIONS ARE IN INCHES [mm].

TITLE		DWG NO		CAGE CODE	
		SC4252		3FKR5	
CAD FILE	082214	SHEET		SCALE	N/A
				SIZE	A
					2233