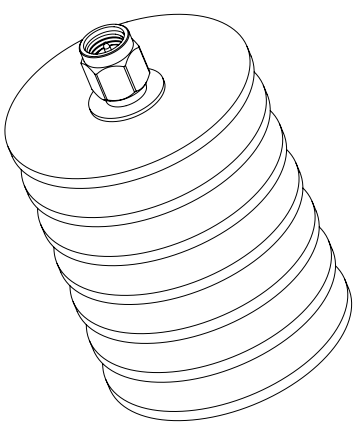


**LABEL:**

**FAIRVIEW MICROWAVE**  
**SA18S25W-10**

**STANDARD TOLERANCES**  
 .X ±0.2  
 .XX ±0.01  
 .XXX ±0.005

**NOTES:**  
 1. OVERALL LENGTH WILL VARY SLIGHTLY  
 MAX LENGTH IS 2.70 [68.5].



\*STANDARD TOLERANCES APPLY ONLY TO DIMENSIONS IN INCHES



**NOTES:**  
 1. UNLESS OTHERWISE SPECIFIED ALL DIMENSIONS ARE NOMINAL.  
 2. ALL SPECIFICATIONS ARE SUBJECT TO CHANGE WITHOUT NOTICE AT ANY TIME.  
 3. DIMENSIONS ARE IN INCHES [mm].

TITLE	
-------	--

DWG NO	SA18S25W-10	CAGE CODE	3FKR5
CAD FILE	03/27/19	SHEET	1 OF 1
SCALE	N/A	SIZE	A
			7361