

6

5

4

3

2

1

REVISION

ZONE	REV	DESCRIPTION	DATE	CHANGED BY	APPROVED
	A	INITIAL RELEASE	07/24/2024	AKRESOWSKI	AGANWANI

F

F

E

E

D

D

C

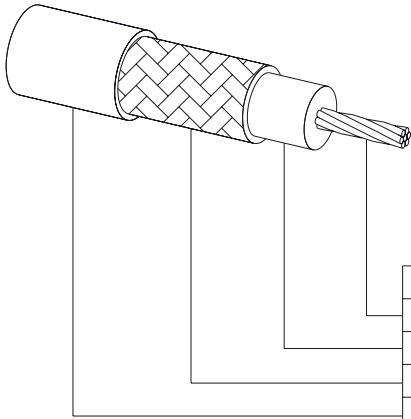
C

B

B

A

A



DESCRIPTION	DIAMETER	MATERIAL
INNER CONDUCTOR	$\phi .020 \pm .001 [0.508 \pm 0.025]$	SILVER PLATED COPPER COVERED STEEL, 7 STRANDS
DIELECTRIC	$\phi .060 \pm .003 [1.524 \pm 0.076]$	PTFE
SHIELD	$\phi .077 [1.96]$	38 AWG SPC BRAID, 90% MIN COVERAGE
JACKET	$\phi .110 [2.79] \text{ MAX}$	TAPE-WRAPPED PTFE, COLOR: WHITE

UNLESS OTHERWISE SPECIFIED
LEADING DIMENSIONS ARE INCHES
DIMENSIONS IN [] ARE MILLIMETERS

TOLERANCES:
 X = ±.2 [5] FRACTIONS ± 1/32
 .XX = ±.02 [0.5] ANGLES ± 1°
 .XXX = ±.005 [0.13]

CABLE LENGTH TOLERANCES:
 ≤12 [305] = +1 [25] / -0
 >12 [305] ≤ 60 [1524] = +2 [51] / -0
 >60 [1524] ≤ 120 [3048] = +4 [102] / -0
 >120 [3048] ≤ 300 [7620] = +6 [152] / -0
 >300 [7620] = +5% / -0

ALL DIMENSIONS ARE FOR REFERENCE ONLY
AND SUBJECT TO CHANGE WITHOUT NOTICE
UN-DIMENSIONED/NON-CRITICAL FEATURES
MAY VARY IN SIZE AND LOCATION
COLORS MAY VARY



Website: www.FairviewMicrowave.com
 Phone: 1.800.715.4396 | 1.972.649.6678

INTERPRET ALL DIMENSIONS AND TOLERANCES PER ASME Y14.5

SCALE NONE SHEET 1 OF 1

DESCRIPTION
FLEXIBLE RG188 COAX CABLE SINGLE SHIELDED WITH WHITE PTFE JACKET

THE INFORMATION CONTAINED IN THIS DRAWING IS THE SOLE PROPERTY OF INFINITE ELECTRONICS, INC. ANY REPRODUCTION IN PART OR WHOLE WITHOUT THE WRITTEN PERMISSION OF INFINITE ELECTRONICS, INC. IS PROHIBITED. THESE COMMODITIES, TECHNOLOGY OR SOFTWARE WERE EXPORTED FROM THE UNITED STATES IN ACCORDANCE WITH THE EXPORT ADMINISTRATION REGULATIONS. DIVERSION CONTRARY TO U.S. LAW PROHIBITED.

SIZE A	CAGE CODE 3FKR5	DRAWN BY AKRESOWSKI	ITEM NO. RG188A/U-BULK	REV A
-----------	--------------------	------------------------	---------------------------	----------

6

5

4

3

2

1