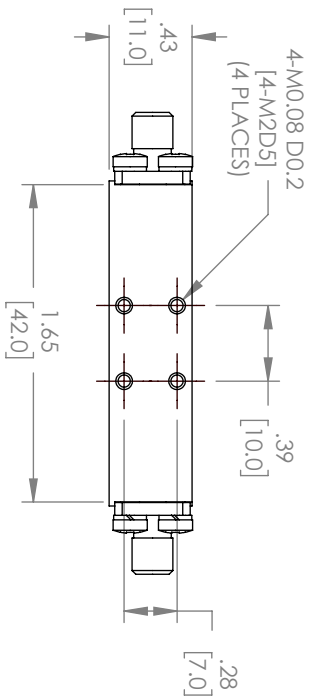
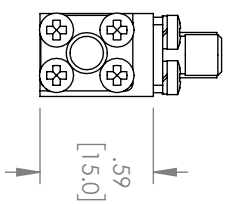
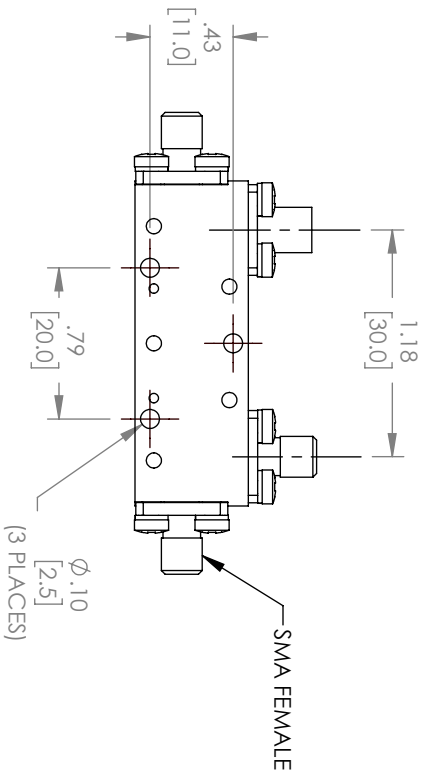
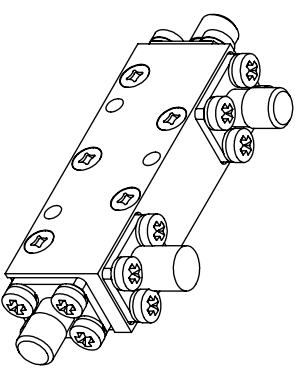


REVISIONS			
REV.	DESCRIPTION	DATE	APPROVED
A	INITIAL RELEASE		
B	PCR	08/02/2021	DR



THESE COMMODITIES, TECHNOLOGY OR SOFTWARE WERE EXPORTED FROM THE UNITED STATES IN ACCORDANCE WITH THE EXPORT ADMINISTRATION REGULATIONS, DIVERSION CONTRARY TO U.S. LAW PROHIBITED.



TITLE

UNLESS OTHERWISE SPECIFIED LEADING DIMENSIONS ARE INCHES  
DIMENSIONS IN [ ] ARE MILLIMETERS

THIRD-ANGLE PROJECTION

TOLERANCES:  
CABLE LENGTH (L) TOLERANCES:  
L ± 1/2 B065 = +1/25/-0  
12 L305 < L ≤ 60 [1524] = +2/51/-0  
60 [1524] < L ≤ 120 [3048] = +4/102/-0  
120 [3048] < L ≤ 300 [7620] = +6/152/-0  
300 [7620] < L = +5%/L/-0

THE INFORMATION AND DESIGN IN THIS DOCUMENT IS THE PROPERTY OF FAIRVIEW MICROWAVE CORPORATION. ALL RIGHTS RESERVED.

SIZE	CAGE CODE	DRAWN BY	ITEM NO.	SCALE	REV
A	3FKR5	PD	MC2047-20	N/A	B