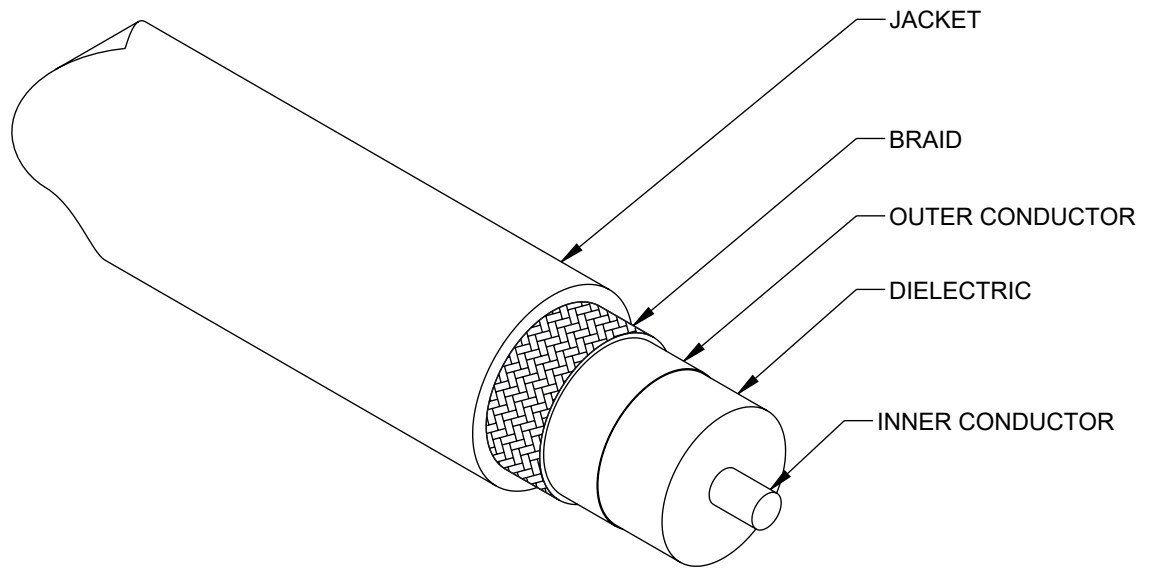


CABLE SPECIFICATION CONSTRUCTION		
CABLE	TYPE	LOW-LOSS COAXIAL
INNER CONDUCTOR	MATERIAL	SOLID BCCAL
	DIAMETER	.150 [3.81]
DIELECTRIC	MATERIAL	LOW DENSITY PTFE
	DIAMETER	.455 [11.56]
OUTER CONDUCTOR	MATERIAL	ALUMINUM TAPE
	DIAMETER	.461 [11.71]
OVERALL BRAID	MATERIAL	TINNED COPPER
	DIAMETER	.490 [12.45]
JACKET	MATERIAL	FLUOROPOLYMER
	DIAMETER	.565 [14.38]
	COLOR	RED

REVISION					
ZONE	REV	DESCRIPTION	DATE	CHANGED BY	APPROVED
	A	INITIAL RELEASE	06/13/2024	AKRESOWSKI	AGANWANI



UNLESS OTHERWISE SPECIFIED
LEADING DIMENSIONS ARE INCHES
DIMENSIONS IN [] ARE MILLIMETERS


TOLERANCES:

X = ±.2 [5]	FRACTIONS ± 1/32
.XX = ±.02 [0.5]	ANGLES ± 1°
.XXX = ±.005 [0.13]	

CABLE LENGTH TOLERANCES:

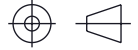
≤12 [305]	= +1 [25] / -0
>12 [305] ≤ 60 [1524]	= +2 [51] / -0
>60 [1524] ≤ 120 [3048]	= +4 [102] / -0
>120 [3048] ≤ 300 [7620]	= +6 [152] / -0
>300 [7620]	= +5% / -0

ALL DIMENSIONS ARE FOR REFERENCE ONLY
AND SUBJECT TO CHANGE WITHOUT NOTICE
UN-DIMENSIONED/NON-CRITICAL FEATURES
MAY VARY IN SIZE AND LOCATION
COLORS MAY VARY



Fairview Microwave®
an INFINIT® brand

Website: www.FairviewMicrowave.com
Phone: 1.800.715.4396 | 1.972.649.6678



INTERPRET ALL DIMENSIONS AND
TOLERANCES PER ASME Y14.5

SCALE NONE	SHEET 1 OF 1
---------------	-----------------

DESCRIPTION
**LOW LOSS FLEXIBLE LMR-600-LLPX INDOOR RATED COAX
CABLE DOUBLE SHIELDED WITH RED PTFE JACKET**

SIZE A	CAGE CODE 3FKR5	DRAWN BY AKRESOWSKI	ITEM NO. LMR-600-LLPX	REV A
-----------	--------------------	------------------------	--------------------------	----------

THE INFORMATION CONTAINED IN THIS DRAWING IS THE SOLE PROPERTY OF INFINITE ELECTRONICS, INC. ANY REPRODUCTION IN PART OR WHOLE WITHOUT THE WRITTEN PERMISSION OF INFINITE ELECTRONICS, INC. IS PROHIBITED. THESE COMMODITIES, TECHNOLOGY OR SOFTWARE WERE EXPORTED FROM THE UNITED STATES IN ACCORDANCE WITH THE EXPORT ADMINISTRATION REGULATIONS. DIVERSION CONTRARY TO U.S. LAW PROHIBITED.