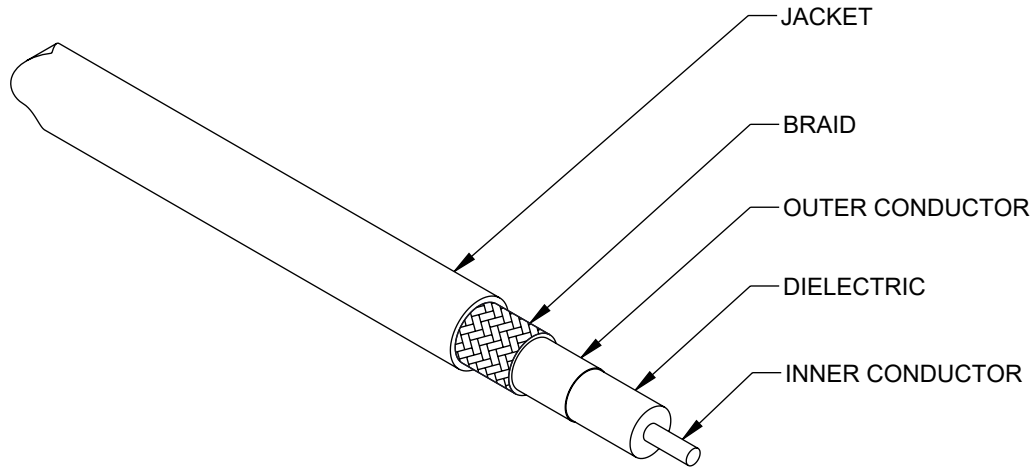


CABLE SPECIFICATION CONSTRUCTION		
CABLE	TYPE	LOW-LOSS COAXIAL
INNER CONDUCTOR	MATERIAL	SOLID BARE COPPER
	DIAMETER	.051 [1.30]
DIELECTRIC	MATERIAL	LOW-DENSITY PTFE
	DIAMETER	.150 [3.81]
OUTER CONDUCTOR	MATERIAL	ALUMINUM TAPE
	DIAMETER	.155 [3.94]
OVERALL BRAID	MATERIAL	TINNED COPPER
	DIAMETER	.178 [4.52]
JACKET	MATERIAL	FLUOROPOLYMER
	DIAMETER	.214 [5.43]
	COLOR	RED

REVISION					
ZONE	REV	DESCRIPTION	DATE	CHANGED BY	APPROVED
	A	INITIAL RELEASE	06/13/2024	AKRESOWSKI	AGANWANI



UNLESS OTHERWISE SPECIFIED
LEADING DIMENSIONS ARE INCHES
DIMENSIONS IN [] ARE MILLIMETERS

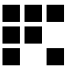
TOLERANCES:

X = ±.2 [5]	FRACTIONS
XX = ±.02 [0.5]	± 1/32
.XXX = ±.005 [0.13]	ANGLES ± 1°


CABLE LENGTH TOLERANCES:

≤12 [305]	= +1 [25] / -0
>12 [305] ≤ 60 [1524]	= +2 [51] / -0
>60 [1524] ≤ 120 [3048]	= +4 [102] / -0
>120 [3048] ≤ 300 [7620]	= +6 [152] / -0
>300 [7620]	= +5% / -0

ALL DIMENSIONS ARE FOR REFERENCE ONLY
AND SUBJECT TO CHANGE WITHOUT NOTICE
UN-DIMENSIONED/NON-CRITICAL FEATURES
MAY VARY IN SIZE AND LOCATION
COLORS MAY VARY



Fairview Microwave®
an INFINIT® brand



INTERPRET ALL DIMENSIONS AND
TOLERANCES PER ASME Y14.5

Website: www.FairviewMicrowave.com
Phone: 1.800.715.4396 | 1.972.649.6678

SCALE	SHEET
NONE	1 OF 1

DESCRIPTION

**LOW LOSS FLEXIBLE LMR-240-LLPX INDOOR RATED COAX
CABLE DOUBLE SHIELDED WITH RED PTFE JACKET**

SIZE	CAGE CODE	DRAWN BY	ITEM NO.	REV
A	3FKR5	AKRESOWSKI	LMR-240-LLPX	A

THE INFORMATION CONTAINED IN THIS DRAWING IS THE SOLE PROPERTY OF INFINITE ELECTRONICS, INC. ANY REPRODUCTION IN PART OR WHOLE WITHOUT THE WRITTEN PERMISSION OF INFINITE ELECTRONICS, INC. IS PROHIBITED. THESE COMMODITIES, TECHNOLOGY OR SOFTWARE WERE EXPORTED FROM THE UNITED STATES IN ACCORDANCE WITH THE EXPORT ADMINISTRATION REGULATIONS. DIVERSION CONTRARY TO U.S. LAW PROHIBITED.