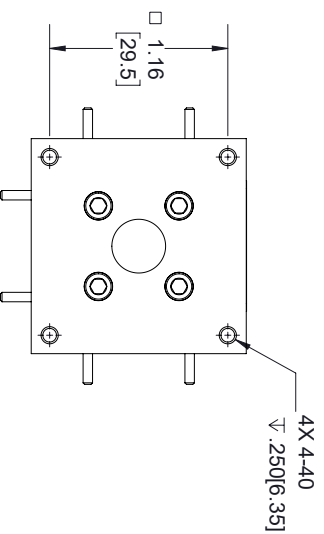
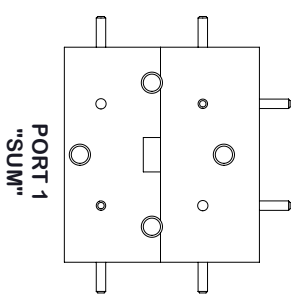
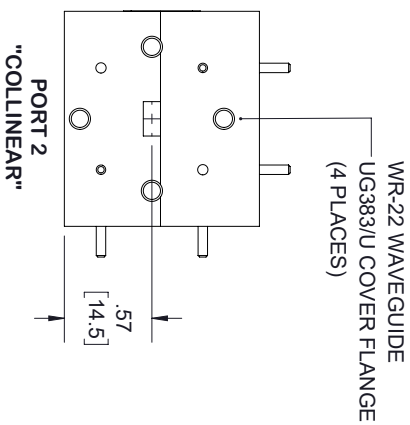
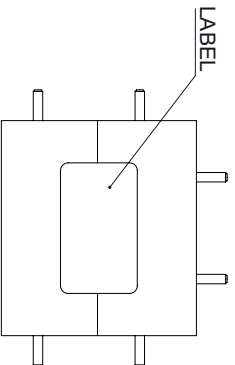
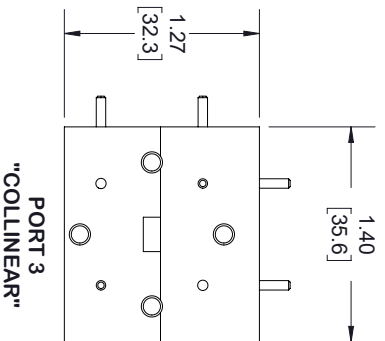
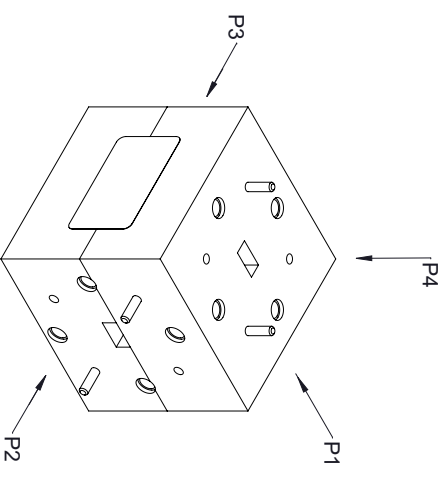
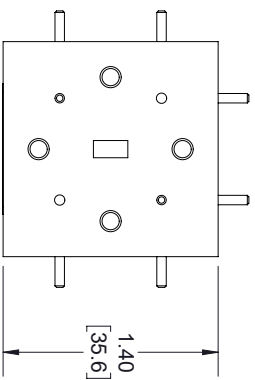


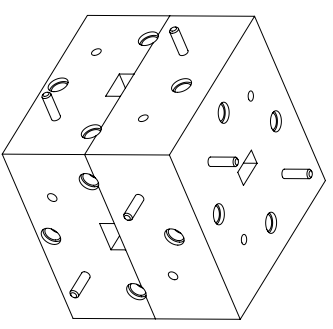
LABEL:

P4
 FAIRVIEW MICROWAVE
 FMWMT1004 P2
 V001186MIDDYYYY
 www.FAIRVIEWMICROWAVE.com
 P1(B. SIDE)



STANDARD TOLERANCES
 .X ±0.2
 .XX ±0.01
 .XXX ±0.005

*STANDARD TOLERANCES APPLY
 ONLY TO DIMENSIONS IN INCHES



FAIRVIEW MICROWAVE INC.

ALLEN, TX 75013 WWW.FAIRVIEWMICROWAVE.COM

NOTES:
 1. UNLESS OTHERWISE SPECIFIED ALL DIMENSIONS ARE NOMINAL.
 2. ALL SPECIFICATIONS ARE SUBJECT TO CHANGE WITHOUT NOTICE AT ANY TIME.
 3. DIMENSIONS ARE IN INCHES [mm].

TITLE		DWG NO		CAGE CODE	
		FMWMT1004		3FKR5	
CAD FILE	111417	SHEET	1 OF 1	SCALE	N/A
				SIZE	A
					7361