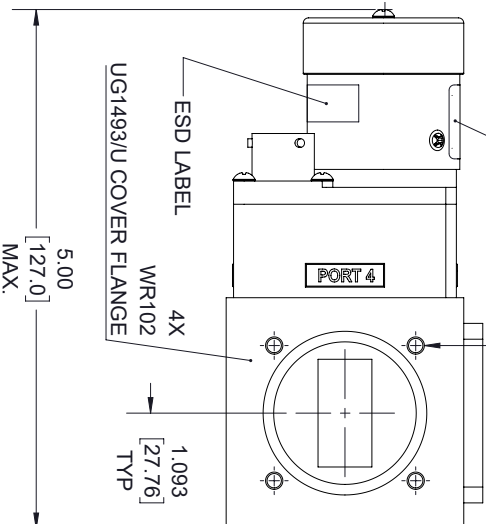
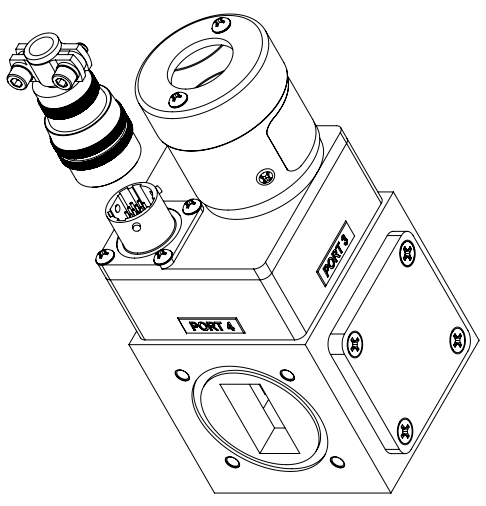
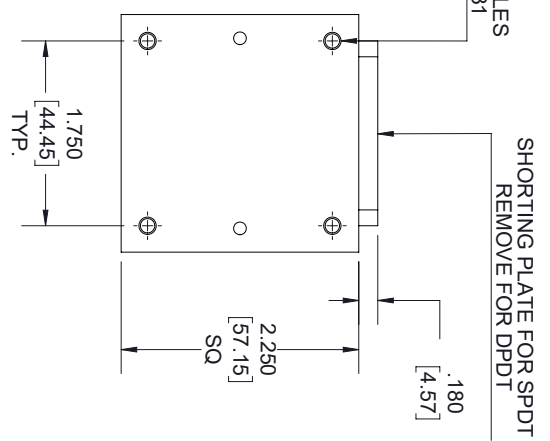


FM LABEL:
 www.fairviewmicrowave.com
 FMWG56037
 S/N: XXXXXX

4X FLANGE MOUNTING HOLES
 8-32 UNC-2B ∇ .31
 TYP ALL PORTS



4X MOUNTING HOLES
 8-32 UNC-2B ∇ .31



STANDARD TOLERANCES

| | |
|------|-------------|
| .X | ± 0.2 |
| .XX | ± 0.01 |
| .XXX | ± 0.005 |

*STANDARD TOLERANCES APPLY ONLY TO DIMENSIONS IN INCHES

- NOTES:
1. MANUAL OVERRIDE & POSITION INDICATOR.
 2. WEATHERIZED COVER WITH CLEAR VIEWING WINDOW.
 3. FOR ACCESS TO MANUAL OVERRIDE LOOSEN (2) CAPTIVE SCREWS.



NOTES:
 1. UNLESS OTHERWISE SPECIFIED ALL DIMENSIONS ARE NOMINAL.
 2. ALL SPECIFICATIONS ARE SUBJECT TO CHANGE WITHOUT NOTICE AT ANY TIME.
 3. DIMENSIONS ARE IN INCHES [mm].

| | | | | | | | | |
|----------|-----------|-----------|--------|-------|-----|------|---|------|
| TITLE | DWG NO | CAGE CODE | | | | | | |
| | FMWG56037 | 3FKR5 | | | | | | |
| CAD FILE | 07/29/19 | SHEET | 1 OF 2 | SCALE | N/A | SIZE | A | 7361 |