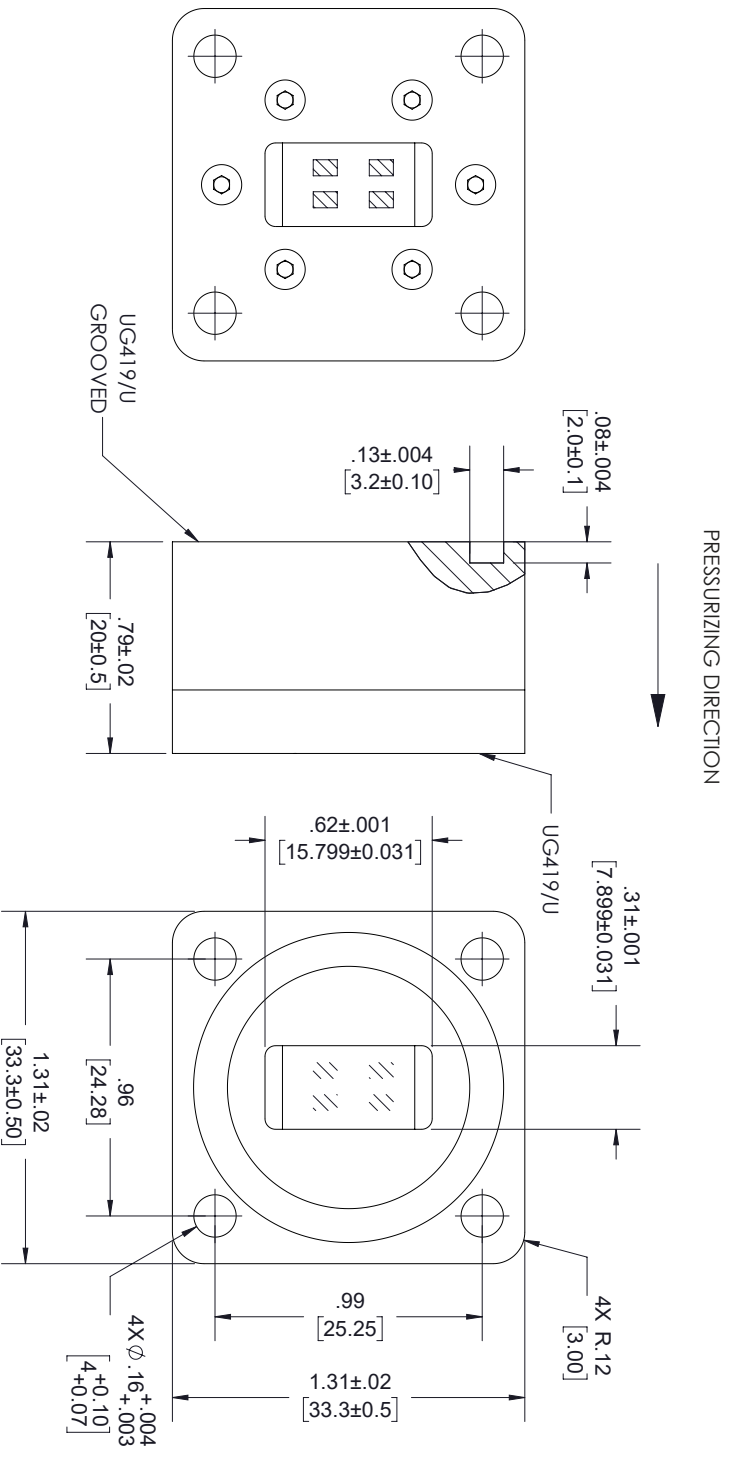


| REVISIONS | | | |
|-----------|-----------------|------------|----------|
| REV. | DESCRIPTION | DATE | APPROVED |
| A | INITIAL RELEASE | 15-04-2021 | SPONG |



THESE COMMODITIES, TECHNOLOGY OR SOFTWARE WERE EXPORTED FROM THE UNITED STATES IN ACCORDANCE WITH THE EXPORT ADMINISTRATION REGULATIONS, DIVERSION CONTRARY TO U.S. LAW PROHIBITED.



TITLE

| | | | | | |
|-----------------------------------------------------------------------------------------------|-----------|--------------------------------------------|---------------------------------------------|-------------------------------------------------------------------------------------------------------------------------|--|
| UNLESS OTHERWISE SPECIFIED LEADING DIMENSIONS ARE INCHES DIMENSIONS IN [] ARE MILLIMETERS | | | | THIRD-ANGLE PROJECTION | |
| TOLERANCES: | | | | THE INFORMATION AND DESIGN IN THIS DOCUMENT IS THE PROPERTY OF FAIRVIEW MICROWAVE CORPORATION. ALL RIGHTS RESERVED. | |
| FRACTIONS | | CABLE LENGTH (L) TOLERANCES: | | SHEET | |
| X = ±.2 | [.008] | L ≤ 12 [806] = +1 [25] / -0 | 12 [130] < L ≤ 60 [1524] = +2 [51] / -0 | OF | |
| XX = ±.02 | [.51] | 60 [1524] < L ≤ 120 [3048] = +4 [102] / -0 | 120 [3048] < L ≤ 300 [7620] = +6 [152] / -0 | 1 | |
| XXX = ±.005 | [.13] | 300 [7620] < L = +5%L / -0 | | 1 | |
| ALL DIMENSIONS SHOWN ARE FOR REFERENCE ONLY. | | | | SCALE | |
| SIZE | GAGE CODE | DRAWN BY | ITEM NO. | REV | |
| A | 3FKRS | MVEERAPPAN | FMWGP1010 | N/A | |