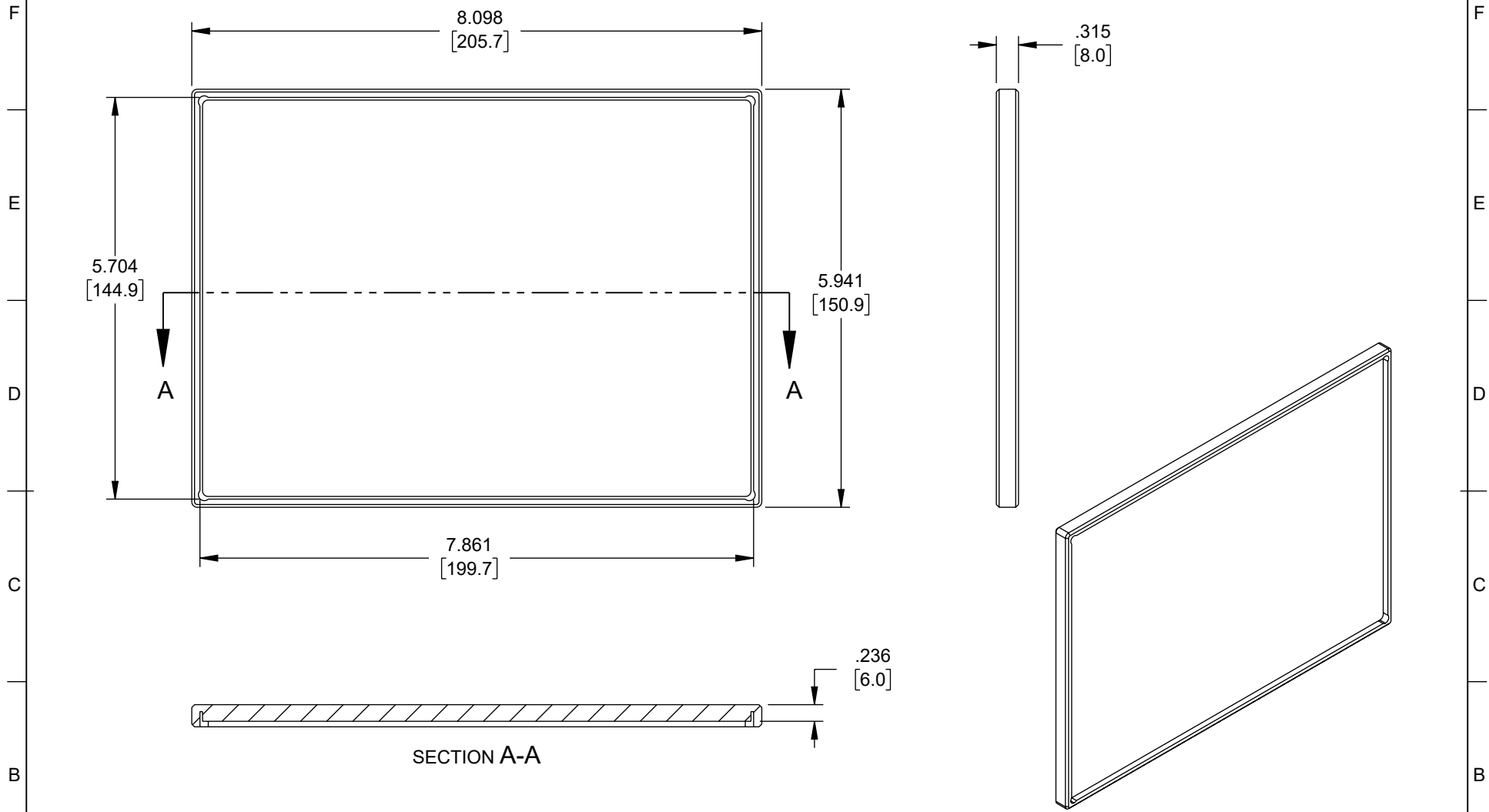


6 5 4 3 2 1

REVISION					
ZONE	REV	DESCRIPTION	DATE	CHANGED BY	APPROVED
	A	INITIAL RELEASE	10/23/2023	DMAY	KHIETPAS



<p>UNLESS OTHERWISE SPECIFIED LEADING DIMENSIONS ARE INCHES DIMENSIONS IN [ ] ARE MILLIMETERS</p> <p>TOLERANCES:</p> <table border="0"> <tr> <td>X = ±.2 [5]</td> <td>FRACTIONS</td> </tr> <tr> <td>XX = ±.02 [0.5]</td> <td>± 1/32</td> </tr> <tr> <td>.XXX = ±.005 [0.13]</td> <td>ANGLES ± 1°</td> </tr> </table> <p>CABLE LENGTH TOLERANCES:</p> <table border="0"> <tr> <td>≤12 [305]</td> <td>= +1 [25] / -0</td> </tr> <tr> <td>&gt;12 [305] ≤ 60 [1524]</td> <td>= +2 [51] / -0</td> </tr> <tr> <td>&gt;60 [1524] ≤ 120 [3048]</td> <td>= +4 [102] / -0</td> </tr> <tr> <td>&gt;120 [3048] ≤ 300 [7620]</td> <td>= +6 [152] / -0</td> </tr> <tr> <td>&gt;300 [7620]</td> <td>= +5% / -0</td> </tr> </table> <p>ALL DIMENSIONS ARE FOR REFERENCE ONLY AND SUBJECT TO CHANGE WITHOUT NOTICE UN-DIMENSIONED/NON-CRITICAL FEATURES MAY VARY IN SIZE AND LOCATION COLORS MAY VARY</p>	X = ±.2 [5]	FRACTIONS	XX = ±.02 [0.5]	± 1/32	.XXX = ±.005 [0.13]	ANGLES ± 1°	≤12 [305]	= +1 [25] / -0	>12 [305] ≤ 60 [1524]	= +2 [51] / -0	>60 [1524] ≤ 120 [3048]	= +4 [102] / -0	>120 [3048] ≤ 300 [7620]	= +6 [152] / -0	>300 [7620]	= +5% / -0	<p><b>Fairview Microwave®</b> an INFINIT® brand</p> <p>Website: <a href="http://www.FairviewMicrowave.com">www.FairviewMicrowave.com</a> Phone: 1.800.715.4396   1.972.649.6678</p>	<p>INTERPRET ALL DIMENSIONS AND TOLERANCES PER ASME Y14.5</p> <table border="1"> <tr> <td>SCALE</td> <td>SHEET</td> </tr> <tr> <td>NONE</td> <td>1 OF 1</td> </tr> </table>	SCALE	SHEET	NONE	1 OF 1
	X = ±.2 [5]	FRACTIONS																				
XX = ±.02 [0.5]	± 1/32																					
.XXX = ±.005 [0.13]	ANGLES ± 1°																					
≤12 [305]	= +1 [25] / -0																					
>12 [305] ≤ 60 [1524]	= +2 [51] / -0																					
>60 [1524] ≤ 120 [3048]	= +4 [102] / -0																					
>120 [3048] ≤ 300 [7620]	= +6 [152] / -0																					
>300 [7620]	= +5% / -0																					
SCALE	SHEET																					
NONE	1 OF 1																					
<p>DESCRIPTION</p> <p><b>RADOME COVER FOR WR284 WITH 15 dBi GAIN STANDARD GAIN HORN</b></p>																						

THE INFORMATION CONTAINED IN THIS DRAWING IS THE SOLE PROPERTY OF INFINITE ELECTRONICS, INC. ANY REPRODUCTION IN PART OR WHOLE WITHOUT THE WRITTEN PERMISSION OF INFINITE ELECTRONICS, INC. IS PROHIBITED. THESE COMMODITIES, TECHNOLOGY OR SOFTWARE WERE EXPORTED FROM THE UNITED STATES IN ACCORDANCE WITH THE EXPORT ADMINISTRATION REGULATIONS. DIVERSION CONTRARY TO U.S. LAW PROHIBITED.	SIZE	CAGE CODE	DRAWN BY	ITEM NO.	REV
	A	3FKR5	DMAY	FMWGC0V284-15	A

6 5 4 3 2 1