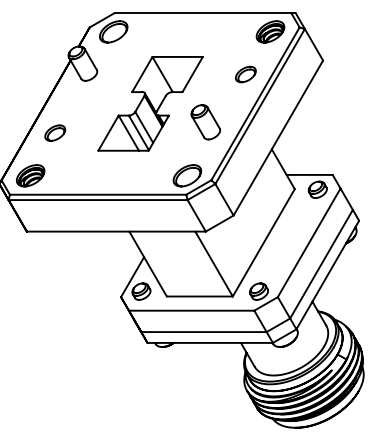
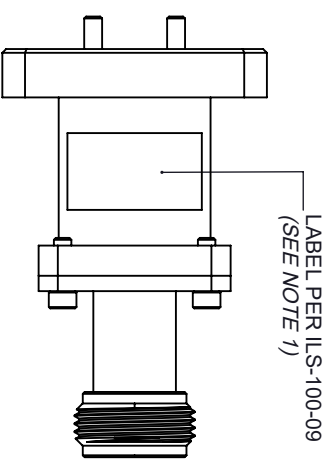
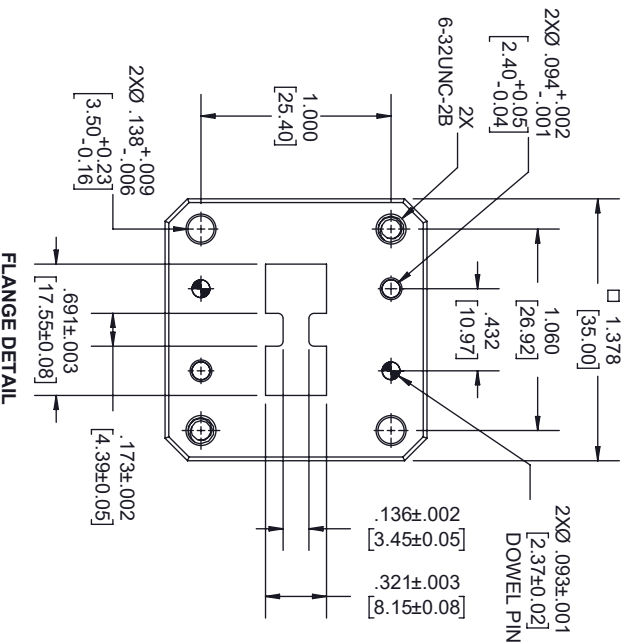
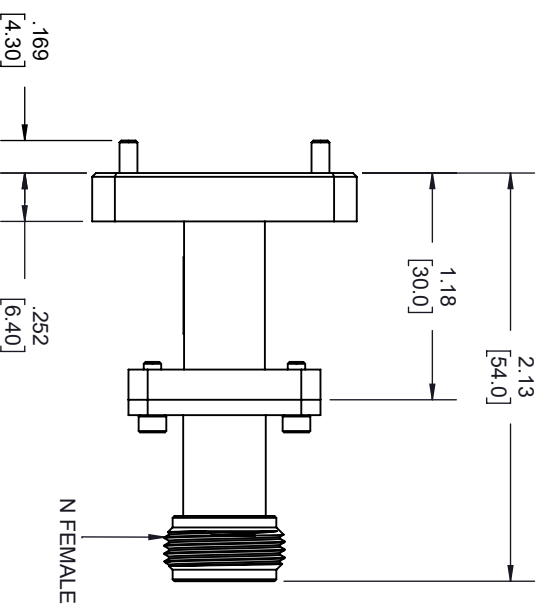
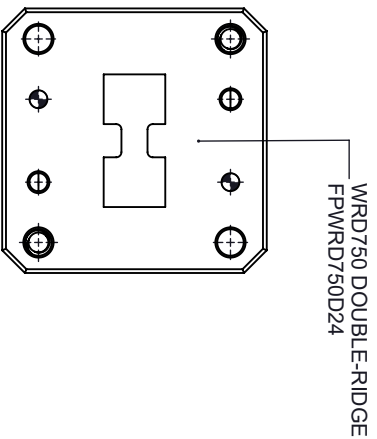


REVISIONS			DATE	APPROVED
REV.	DESCRIPTION			
A	INITIAL RELEASE		10/6/2020	S.PONG



**NOTES:**

1. LABEL PER ILS-100-09. FOR INTERNAL REFERENCE ONLY. LABEL LOCATION FOR REFERENCE ONLY.

THESE COMMODITIES, TECHNOLOGY OR SOFTWARE WERE EXPORTED FROM THE UNITED STATES IN ACCORDANCE WITH THE EXPORT ADMINISTRATION REGULATIONS, DIVERSION CONTRARY TO U.S. LAW PROHIBITED.



TITLE

UNLESS OTHERWISE SPECIFIED LEADING DIMENSIONS ARE INCHES  
DIMENSIONS IN [ ] ARE MILLIMETERS

TOLERANCES:

CABLE LENGTH (L) TOLERANCES:



L ± 1/2 (505) = +1/2 (51) / -0  
12 (305) < L ≤ 60 (1524) = +2 (51) / -0  
60 (1524) < L ≤ 120 (3048) = +4 (102) / -0  
120 (3048) < L ≤ 300 (7620) = +6 (152) / -0  
300 (7620) < L = +5%L / -0

FRACTIONS ± 1/32  
ANGLES ± 1°

THE INFORMATION AND DESIGN IN THIS DOCUMENT IS THE PROPERTY OF FAIRVIEW MICROWAVE CORPORATION. ALL RIGHTS RESERVED.

ALL DIMENSIONS SHOWN ARE FOR REFERENCE ONLY.

SCALE 1 N/A

SIZE A

GAGE CODE 3FKRS

DRAWN BY K.DANG

ITEM NO. FMWCA1118

REV A