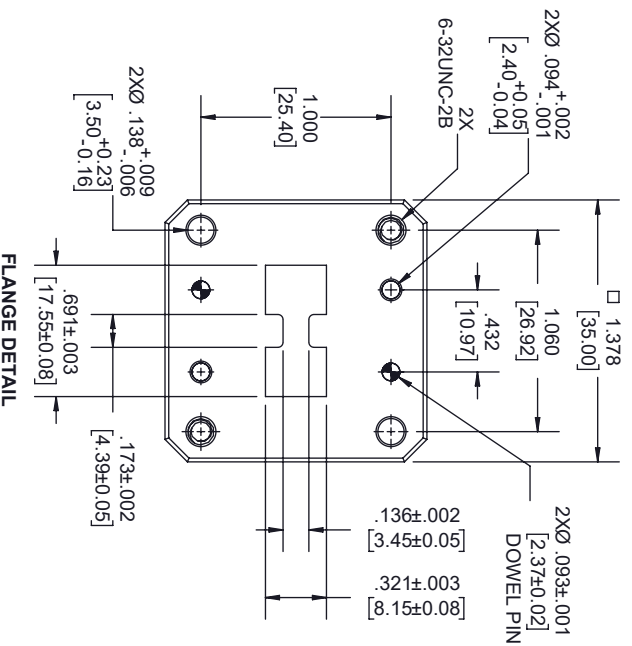
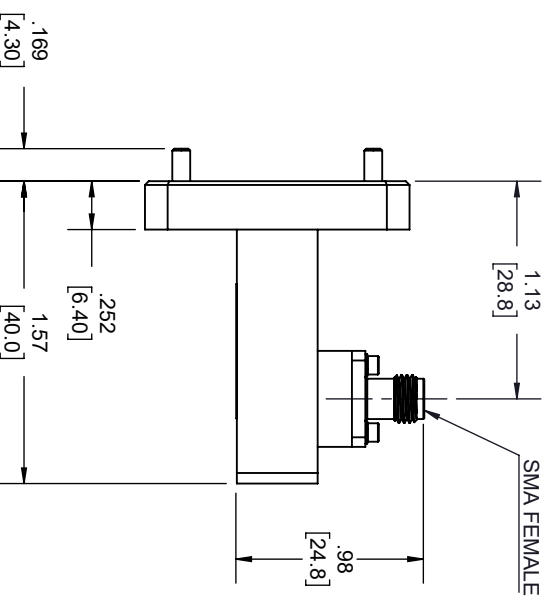
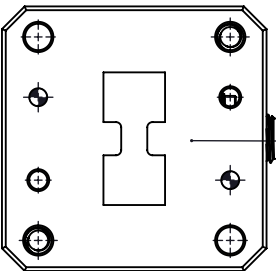
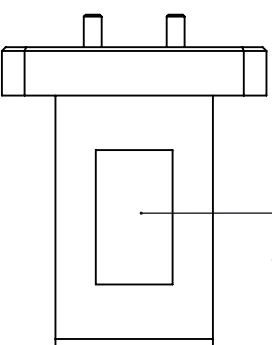


REVISIONS			
REV.	DESCRIPTION	DATE	APPROVED
A	INITIAL RELEASE	10/6/2020	S.PONG

WRD750 DOUBLE-RIDGE
FPWRD750D24 COVER FLANGE



FLANGE DETAIL



LABEL PER ILS-100-09
(SEE NOTE 1)

- NOTES:
- LABEL PER ILS-100-09. FOR INTERNAL REFERENCE ONLY.
LABEL LOCATION FOR REFERENCE ONLY.

THESE COMMODITIES, TECHNOLOGY OR SOFTWARE WERE EXPORTED FROM THE UNITED STATES IN ACCORDANCE WITH THE EXPORT ADMINISTRATION REGULATIONS, DIVERSION CONTRARY TO U.S. LAW PROHIBITED.



TITLE

UNLESS OTHERWISE SPECIFIED LEADING DIMENSIONS ARE INCHES DIMENSIONS IN [] ARE MILLIMETERS				THIRD-ANGLE PROJECTION	
TOLERANCES:				CABLE LENGTH (L) TOLERANCES:	
X = ±.2	[.008]	FRACTIONS	12 [305] < L ≤ 60 [1524] = ±.2 [51] / -0	THE INFORMATION AND DESIGN IN THIS DOCUMENT IS THE PROPERTY OF FAIRVIEW MICROWAVE CORPORATION. ALL RIGHTS RESERVED.	
XX = ±.02	[.51]	±.1/32	60 [1524] < L ≤ 120 [3048] = ±.4 [102] / -0	SHEET 1 OF 1	
XXX = ±.005	[.13]	ANGLES ± 1°	120 [3048] < L ≤ 300 [7620] = +.6 [152] / -0	SCALE N/A	
300 [7620] < L = +5%L / -0				REV A	
SIZE	GAGE CODE	DRAWN BY	ITEM NO.	REV	
A	3FKR5	K.DANG	FMWCAT114	A	
ALL DIMENSIONS SHOWN ARE FOR REFERENCE ONLY.					