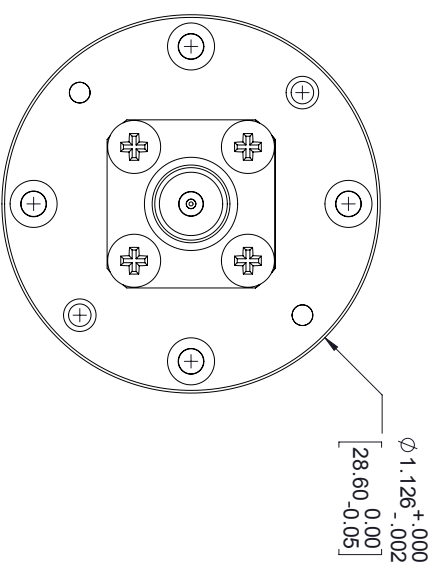
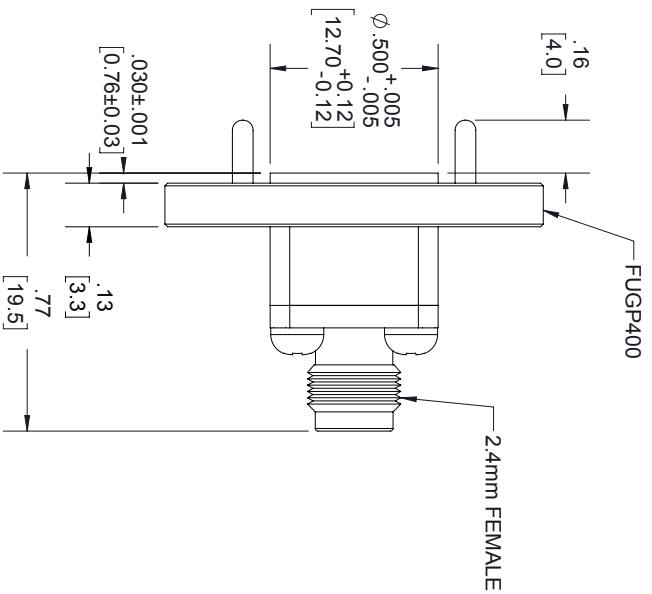
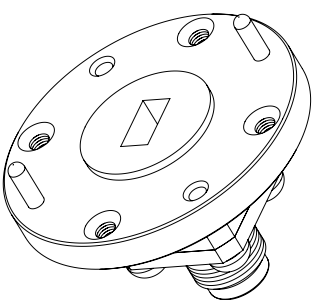
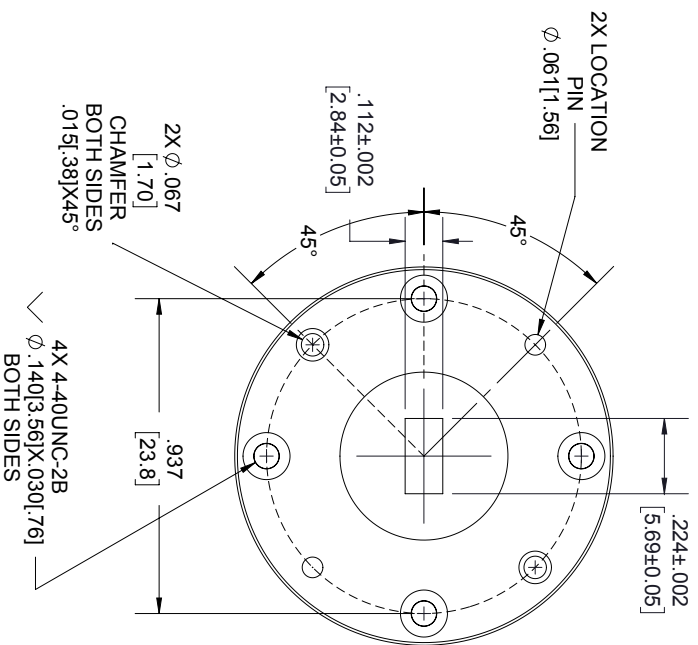


REVISIONS			
REV.	DESCRIPTION	DATE	APPROVED
A	INITIAL RELEASE	05/18/2020	SPONG



LABEL:

FAIRVIEW MICROWAVE
 FMWCA1110
 D/C: YYYYWW

THESE COMMODITIES, TECHNOLOGY OR SOFTWARE WERE EXPORTED FROM THE UNITED STATES IN ACCORDANCE WITH THE EXPORT ADMINISTRATION REGULATIONS, DIVERSION CONTRARY TO U.S. LAW PROHIBITED.



TITLE

UNLESS OTHERWISE SPECIFIED LEADING DIMENSIONS ARE INCHES				THIRD-ANGLE PROJECTION	
DIMENSIONS IN [] ARE MILLIMETERS					
TOLERANCES:				THE INFORMATION AND DESIGN IN THIS DOCUMENT IS THE PROPERTY OF FAIRVIEW MICROWAVE CORPORATION. ALL RIGHTS RESERVED.	
CABLE LENGTH (L) TOLERANCES:		L $\pm 1/2$ (B06) = $\pm 1/25$ / -0		SHEET 1 OF 1	
L $\pm 1/2$ (B05) = $\pm 1/25$ / -0		L 12 (B05) < L ≤ 60 (B24) = $\pm 2/51$ / -0		SCALE N/A	
L 60 (B24) < L ≤ 120 (B48) = $\pm 4/102$ / -0		L 120 (B48) < L ≤ 300 (B20) = $\pm 6/152$ / -0		REV A	
L 300 (B20) < L = $\pm 5\%$ / -0		FRACTIONS $\pm 1/32$		DRAWN BY BPUCHASKI	
ANGLES $\pm 1^\circ$		X = $\pm .2$ [.08]		ITEM NO. FMWCA1110	
XX = $\pm .02$ [.51]		XXX = $\pm .005$ [.13]		SIZE A	
ALL DIMENSIONS SHOWN ARE FOR REFERENCE ONLY.				GAGE CODE 3FKRS	
GAGE CODE 3FKRS				REV A	