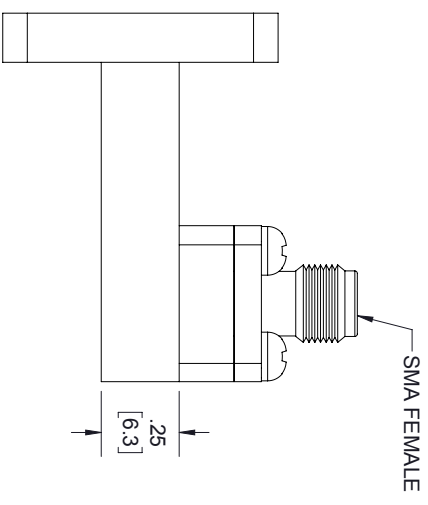
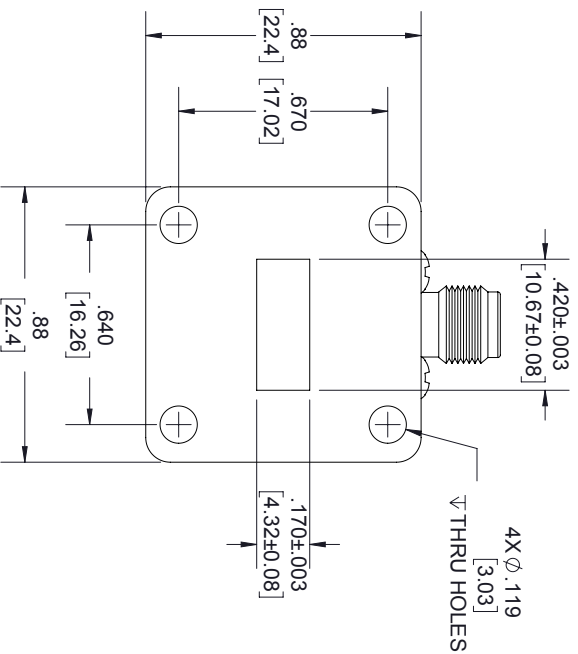
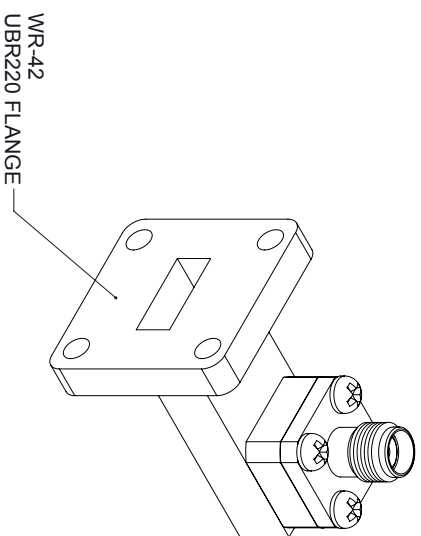
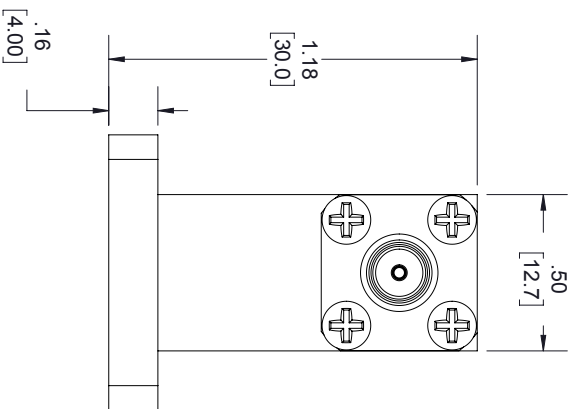


REVISIONS			
REV.	DESCRIPTION	DATE	APPROVED
A	INITIAL RELEASE	05/1/2020	SPONG



LABEL:

FAIRVIEW MICROWAVE
FMWCA1100
D/C: YYYYWW

THESE COMMODITIES, TECHNOLOGY OR SOFTWARE WERE EXPORTED FROM THE UNITED STATES IN ACCORDANCE WITH THE EXPORT ADMINISTRATION REGULATIONS, DIVERSION CONTRARY TO U.S. LAW PROHIBITED.



TITLE

UNLESS OTHERWISE SPECIFIED LEADING DIMENSIONS ARE INCHES DIMENSIONS IN [] ARE MILLIMETERS				THIRD-ANGLE PROJECTION			
TOLERANCES:				CABLE LENGTH (L) TOLERANCES:			
X = ±.2	[5.08]	FRACTIONS	±.125 / -0	L ≤ 12	[304.8]	±.125 / -0	
XX = ±.02	[.51]	±.192	±.151 / -0	12	[304.8]	< L ≤ 60	[1524] ±.251 / -0
XXX = ±.005	[.13]	ANGLES ± 1°	±.002 / -0	60	[1524]	< L ≤ 120	[3048] ±.508 / -0
				120	[3048]	< L ≤ 300	[7620] ±.635 / -0
				300	[7620]	< L	±.635% / -0
ALL DIMENSIONS SHOWN ARE FOR REFERENCE ONLY.				SCALE			
SIZE	GAGE CODE	DRAWN BY	ITEM NO.	REV		REV	
A	3FKRS	BPUCHASKI	FMWCA1100	N/A		A	