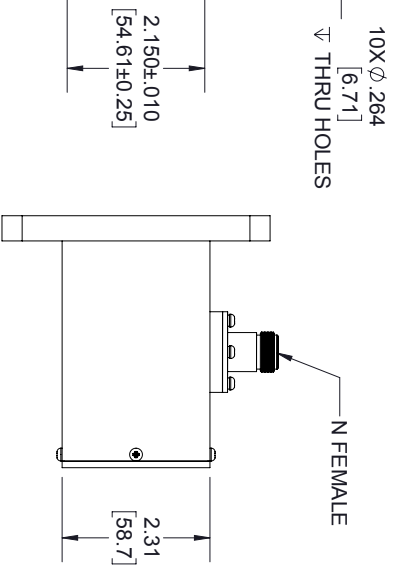
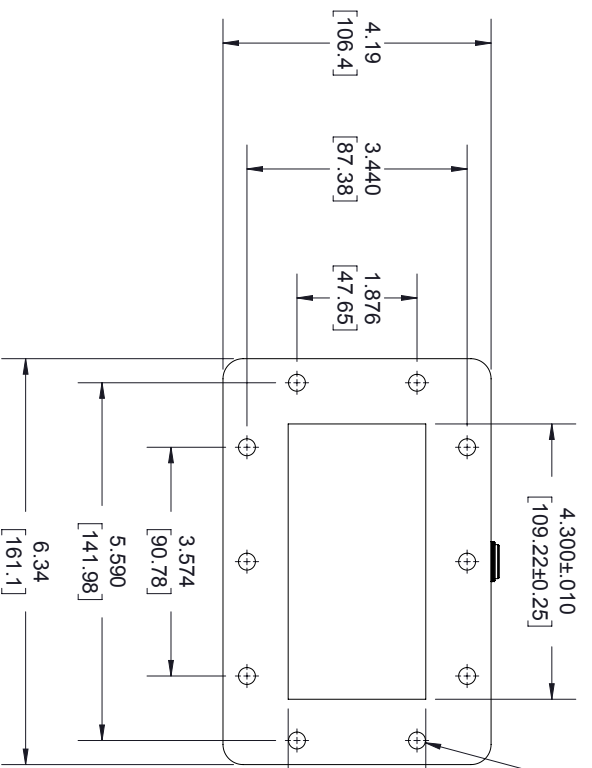
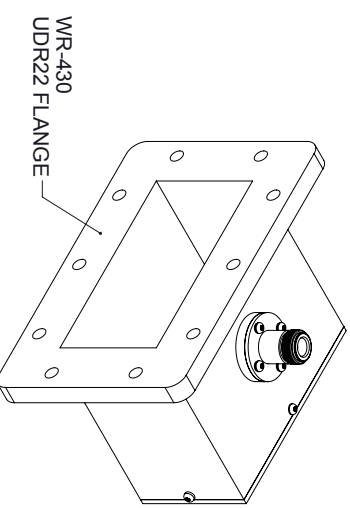
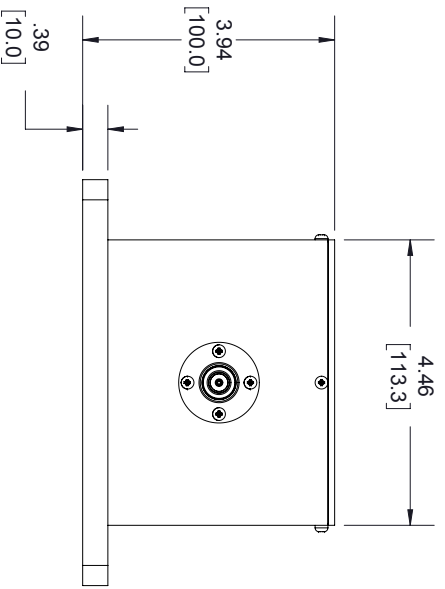


| REVISIONS |                 |            |          |
|-----------|-----------------|------------|----------|
| REV.      | DESCRIPTION     | DATE       | APPROVED |
| A         | INITIAL RELEASE | 04/21/2020 | SPONG    |



LABEL:

FAIRVIEW MICROWAVE  
FMWCA1079  
D/C: YYWW

THESE COMMODITIES, TECHNOLOGY OR SOFTWARE WERE EXPORTED FROM THE UNITED STATES IN ACCORDANCE WITH THE EXPORT ADMINISTRATION REGULATIONS, DIVERSION CONTRARY TO U.S. LAW PROHIBITED.



TITLE

|  |           |             |           |   |     |
|--|-----------|-------------|-----------|---|-----|
| UNLESS OTHERWISE SPECIFIED LEADING DIMENSIONS ARE INCHES |           |             |           | THIRD-ANGLE PROJECTION  |     |
| DIMENSIONS IN [ ] ARE MILLIMETERS                        |           |             |           |   |     |
| TOLERANCES:  |           |             |           | THE INFORMATION AND DESIGN IN THIS DOCUMENT IS THE PROPERTY OF FAIRVIEW MICROWAVE CORPORATION. ALL RIGHTS RESERVED. |     |
| X = ±.2 [5.08]   |           | FRACTIONS   |           | L ± 1/2 (B06) = +1 [25] / -0  |     |
| XX = ±.02 [.51]  |           | ± 1/32      |           | 12 [305] < L ≤ 60 [1524] = +2 [51] / -0   |     |
| XXX = ±.005 [.13]  |           | ANGLES ± 1° |           | 60 [1524] < L ≤ 120 [3048] = +4 [102] / -0  |     |
|  |           |             |           | 120 [3048] < L ≤ 300 [7620] = +6 [152] / -0   |     |
|  |           |             |           | 300 [7620] < L = +5% / -0   |     |
| ALL DIMENSIONS SHOWN ARE FOR REFERENCE ONLY.             |           |             |           | SCALE   |     |
| SIZE   | GAGE CODE | DRAWN BY    | ITEM NO.  | REV   |     |
| A  | 3FKRS     | BPUCHASKI   | FMWCA1079 | A   | N/A |