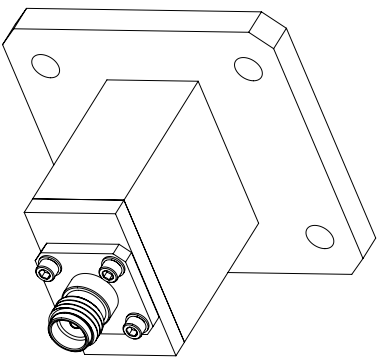


**STANDARD TOLERANCES**

.X	±0.2
.XX	±0.01
.XXX	±0.005



\*STANDARD TOLERANCES APPLY ONLY TO DIMENSIONS IN INCHES



NOTES:  
 1. UNLESS OTHERWISE SPECIFIED ALL DIMENSIONS ARE NOMINAL.  
 2. ALL SPECIFICATIONS ARE SUBJECT TO CHANGE WITHOUT NOTICE AT ANY TIME.  
 3. DIMENSIONS ARE IN INCHES [mm].

TITLE		DWG NO		CAGE CODE	
		FMWCA1073		3FKR5	
CAD FILE	10/03/18	SHEET	1 OF 1	SCALE	N/A
				SIZE	A
					7361