

6

5

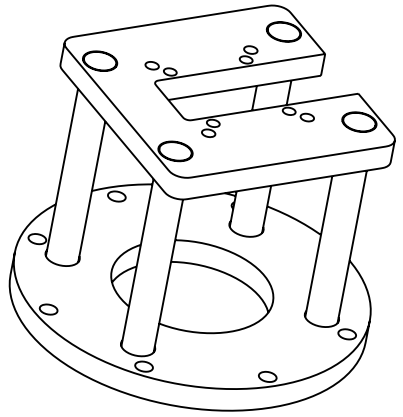
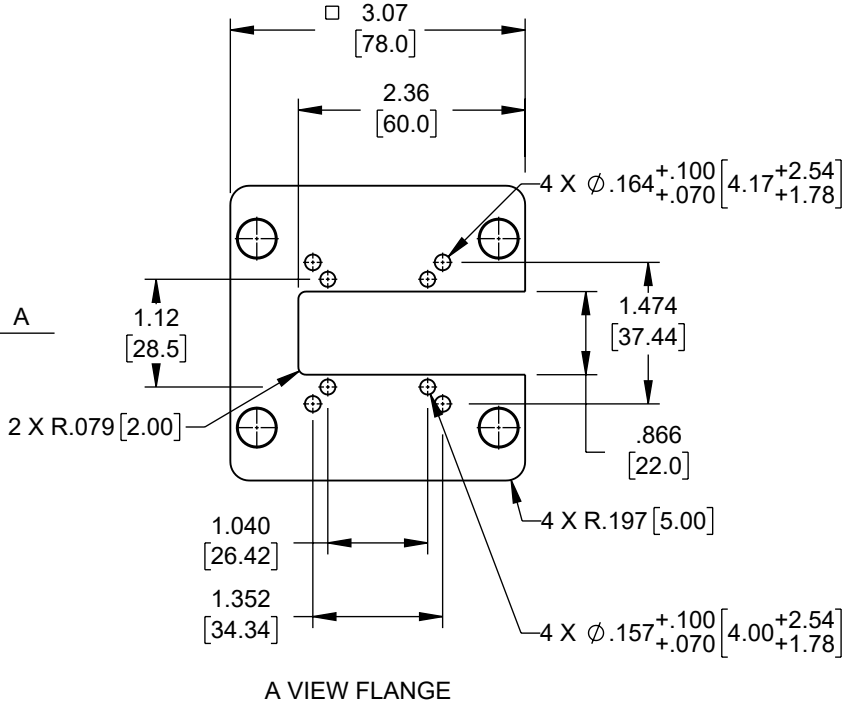
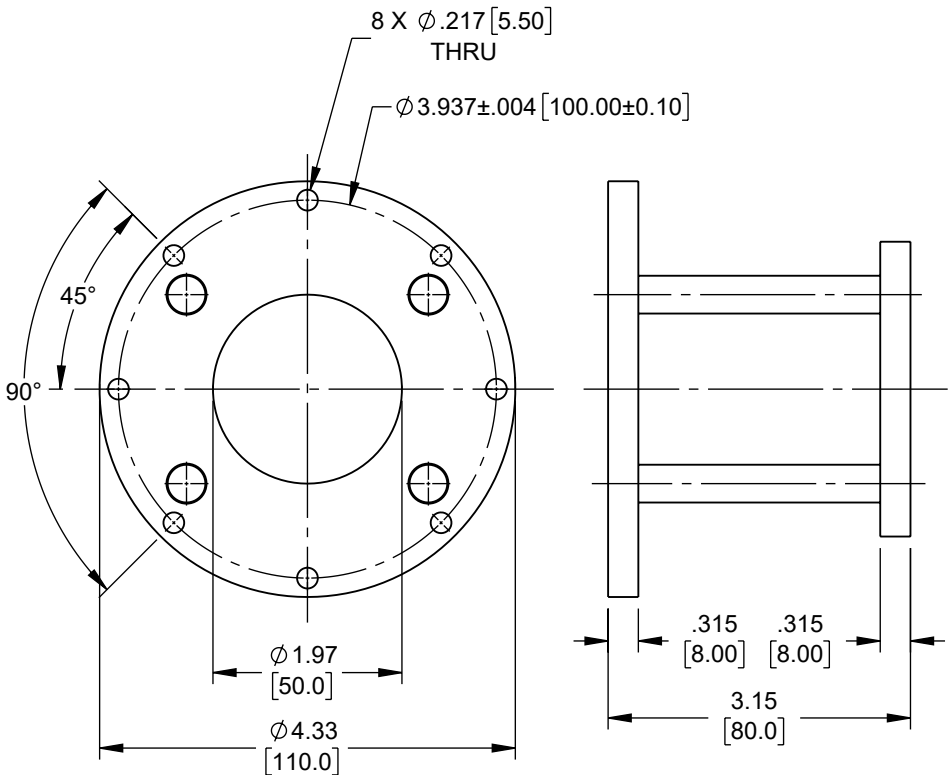
4

3

2

1

REVISION					
ZONE	REV	DESCRIPTION	DATE	CHANGED BY	APPROVED
	A	INITIAL RELEASE	05/30/2023	LNagaraj	KHIETPAS



UNLESS OTHERWISE SPECIFIED
 LEADING DIMENSIONS ARE INCHES
 DIMENSIONS IN [] ARE MILLIMETERS

TOLERANCES:
 .X = \pm .2 [5] FRACTIONS
 .XX = \pm .02 [.5] \pm 1/32
 .XXX = \pm .005 [.13] ANGLES \pm 1°

CABLE LENGTH TOLERANCES:
 \leq 12 [305] = +1 [25] / -0
 >12 [305] \leq 60 [1524] = +2 [51] / -0
 >60 [1524] \leq 120 [3048] = +4 [102] / -0
 >120 [3048] \leq 300 [7620] = +6 [152] / -0
 >300 [7620] = +5% / -0

ALL DIMENSIONS ARE FOR REFERENCE ONLY
 AND SUBJECT TO CHANGE WITHOUT NOTICE.



Website: www.FairviewMicrowave.com
 Phone: 1.800.715.4396 | 1.972.649.6678

SCALE	SHEET
NONE	1 OF 1

DESCRIPTION
**STANDARD GAIN HORNS ANTENNA MOUNT, WAVEGUIDE SIZE
 WR112-75, IEC R84-120**

SIZE	CAGE CODE	DRAWN BY	ITEM NO.	REV
A	3FKR5	LNagaraj	FMWAN075-112-MNT	A

THE INFORMATION CONTAINED IN THIS DRAWING IS THE SOLE PROPERTY OF INFINITE ELECTRONICS, INC. ANY REPRODUCTION IN PART OR WHOLE WITHOUT THE WRITTEN PERMISSION OF INFINITE ELECTRONICS, INC. IS PROHIBITED. THESE COMMODITIES, TECHNOLOGY OR SOFTWARE WERE EXPORTED FROM THE UNITED STATES IN ACCORDANCE WITH THE EXPORT ADMINISTRATION REGULATIONS. DIVERSION CONTRARY TO U.S. LAW PROHIBITED.

6

5

4

3

2

1