

6

5

4

3

2

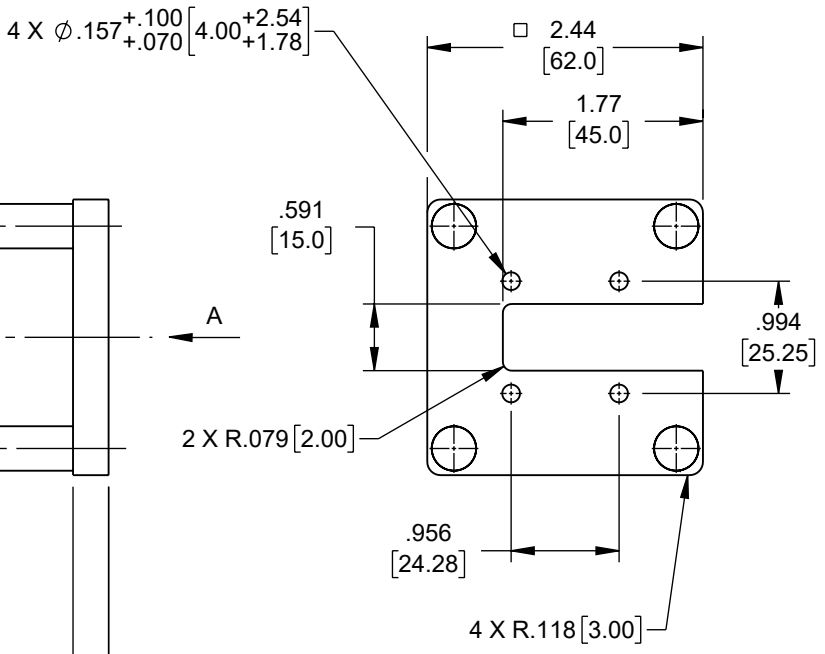
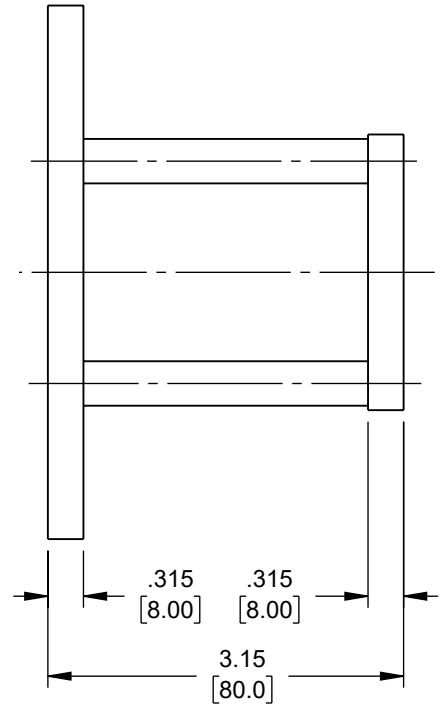
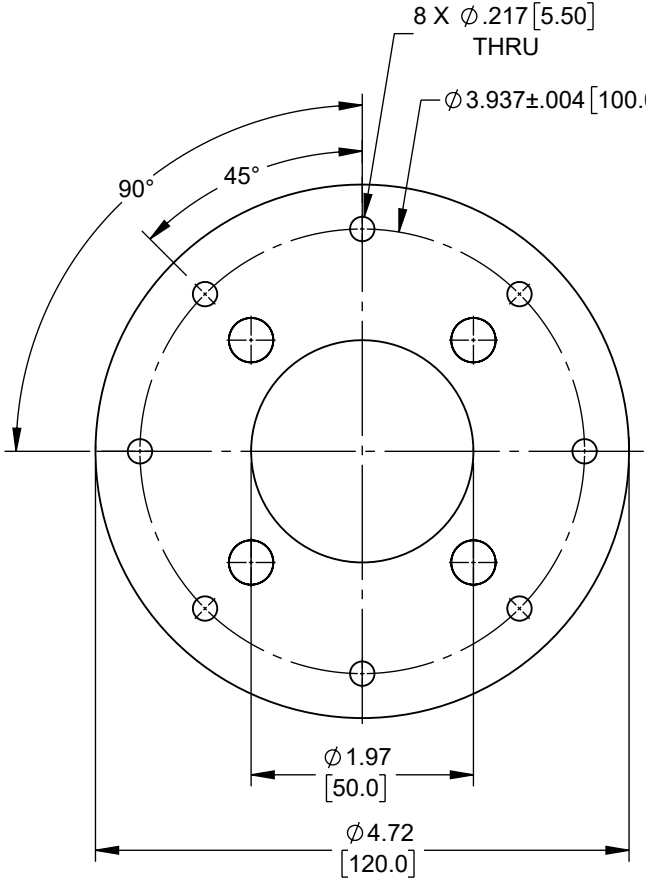
1

REVISION

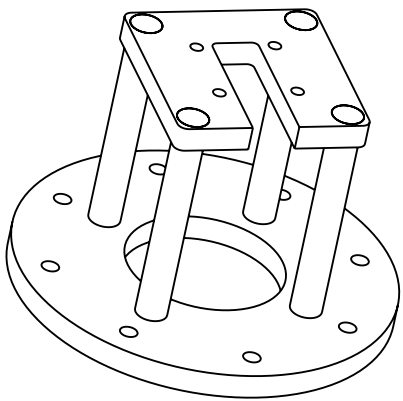
ZONE	REV	DESCRIPTION	DATE	CHANGED BY	APPROVED
	A	INITIAL RELEASE	05/30/2023	LNagaraj	KHIETPAS

F
E
D
C
B
A

F
E
D
C
B
A



A VIEW FLANGE



UNLESS OTHERWISE SPECIFIED
 LEADING DIMENSIONS ARE INCHES
 DIMENSIONS IN [] ARE MILLIMETERS

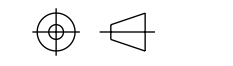
TOLERANCES:
 .X = \pm .2 [5] FRACTIONS
 .XX = \pm .02 [.5] \pm 1/32
 .XXX = \pm .005 [.13] ANGLES \pm 1°

CABLE LENGTH TOLERANCES:
 \leq 12 [305] = +1 [25] / -0
 >12 [305] \leq 60 [1524] = +2 [51] / -0
 >60 [1524] \leq 120 [3048] = +4 [102] / -0
 >120 [3048] \leq 300 [7620] = +6 [152] / -0
 >300 [7620] = +5% / -0

ALL DIMENSIONS ARE FOR REFERENCE ONLY
 AND SUBJECT TO CHANGE WITHOUT NOTICE.



Website: www.FairviewMicrowave.com
 Phone: 1.800.715.4396 | 1.972.649.6678



INTERPRET ALL DIMENSIONS AND TOLERANCES PER ASME Y14.5

SCALE NONE SHEET 1 OF 1

DESCRIPTION
**STANDARD GAIN HORNS ANTENNA MOUNT, WAVEGUIDE SIZE
 WR51-42, IEC R180-R220**

SIZE A	CAGE CODE 3FKR5	DRAWN BY LNagaraj	ITEM NO. FMWAN042-051-MNT	REV A
-----------	--------------------	----------------------	------------------------------	----------

THE INFORMATION CONTAINED IN THIS DRAWING IS THE SOLE PROPERTY OF INFINITE ELECTRONICS, INC. ANY REPRODUCTION IN PART OR WHOLE WITHOUT THE WRITTEN PERMISSION OF INFINITE ELECTRONICS, INC. IS PROHIBITED. THESE COMMODITIES, TECHNOLOGY OR SOFTWARE WERE EXPORTED FROM THE UNITED STATES IN ACCORDANCE WITH THE EXPORT ADMINISTRATION REGULATIONS. DIVERSION CONTRARY TO U.S. LAW PROHIBITED.

6

5

4

3

2

1