

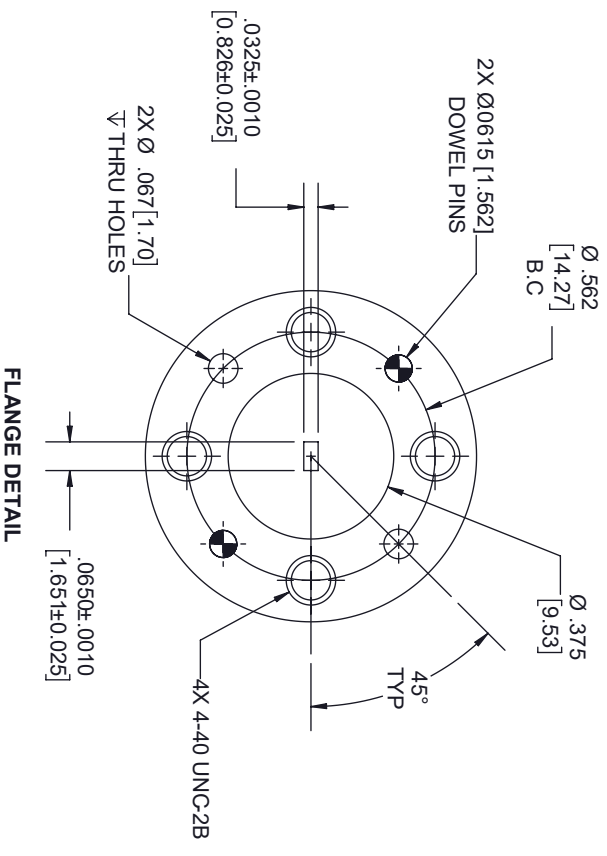
STANDARD TOLERANCES

.X ±0.2

.XX ±0.01

.XXX ±0.005

\*STANDARD TOLERANCES APPLY ONLY TO DIMENSIONS IN INCHES



 **Fairview Microwave**  
an INFINIT@ brand

TITLE

NOTES:  
1. UNLESS OTHERWISE SPECIFIED ALL DIMENSIONS ARE NOMINAL.  
2. ALL SPECIFICATIONS ARE SUBJECT TO CHANGE WITHOUT NOTICE AT ANY TIME.  
3. DIMENSIONS ARE IN INCHES [mm].

DWG NO	FMMW6TW0002	CAGE CODE	3FKR5
CAD FILE	08/05/19	SHEET	1 OF 1
SCALE	N/A	SIZE	A
			7361