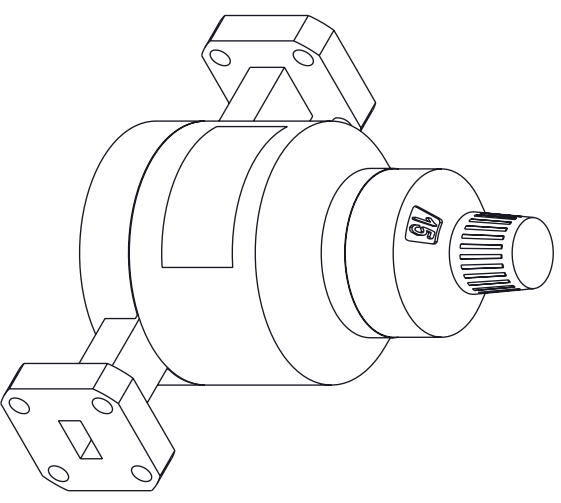
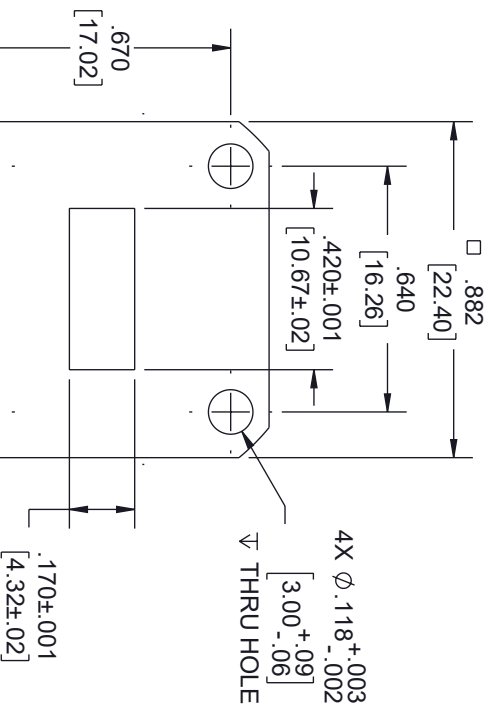
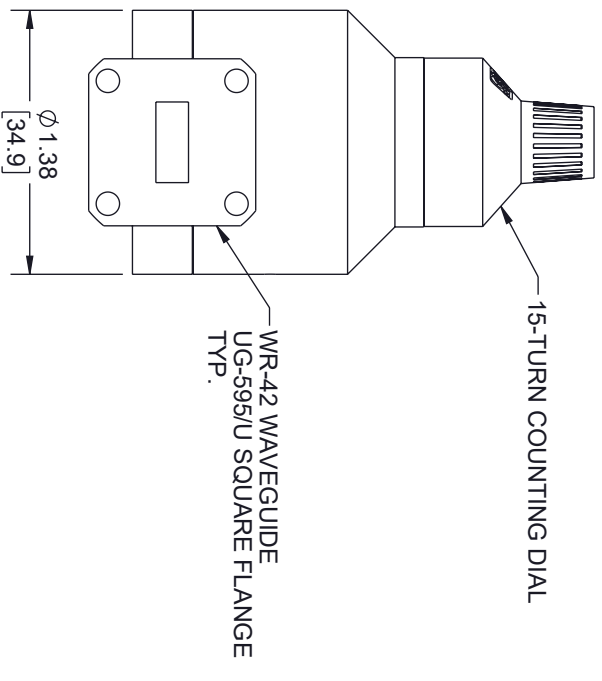
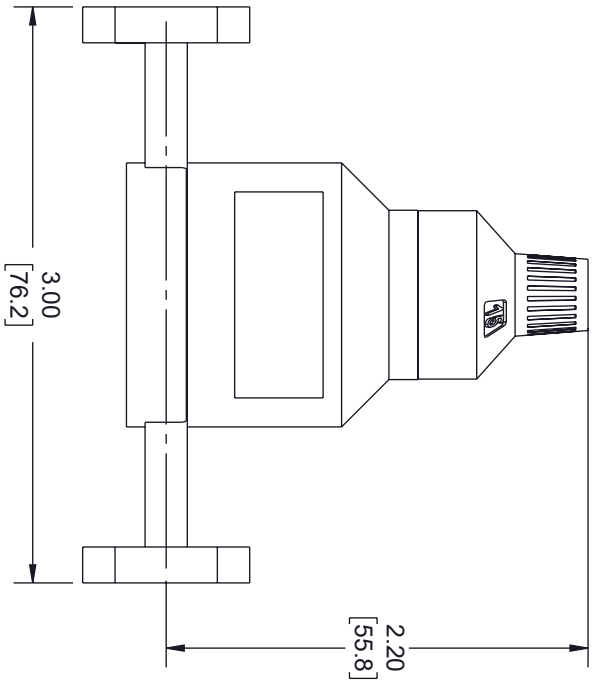


REVISIONS			
REV.	DESCRIPTION	DATE	APPROVED
A	INITIAL RELEASE	10/19/22	SPONG



THESE COMMODITIES, TECHNOLOGY OR SOFTWARE WERE EXPORTED FROM THE UNITED STATES IN ACCORDANCE WITH THE EXPORT ADMINISTRATION REGULATIONS, DIVERSION CONTRARY TO U.S. LAW PROHIBITED.

**Fairview Microwave**

an INFINITI® brand

TITLE

UNLESS OTHERWISE SPECIFIED LEADING DIMENSIONS ARE INCHES DIMENSIONS IN [ ] ARE MILLIMETERS				THIRD-ANGLE PROJECTION	
TOLERANCES:				THE INFORMATION AND DESIGN IN THIS DOCUMENT IS THE PROPERTY OF FAIRVIEW MICROWAVE CORPORATION. ALL RIGHTS RESERVED.	
CABLE LENGTH (L) TOLERANCES:		CABLE LENGTH (L) TOLERANCES:		SCALE	
X = ±.2	[.008]	FRACTIONS	12 [305] < L ≤ 60 [1524] = +.2 [51] / -.0	1	
XX = ±.02	[.51]	± 1/32	60 [1524] < L ≤ 120 [3048] = +.4 [102] / -.0	OF	
XXX = ±.005	[.13]	ANGLES ± 1°	120 [3048] < L ≤ 300 [7620] = +.6 [152] / -.0	1	
			300 [7620] < L = +5%L / -.0	N/A	
ALL DIMENSIONS SHOWN ARE FOR REFERENCE ONLY.				REV	
SIZE	GAGE CODE	DRAWN BY	ITEM NO.	A	
A	3FKRS	HBAKKE	FMMW42AT001-30	A	