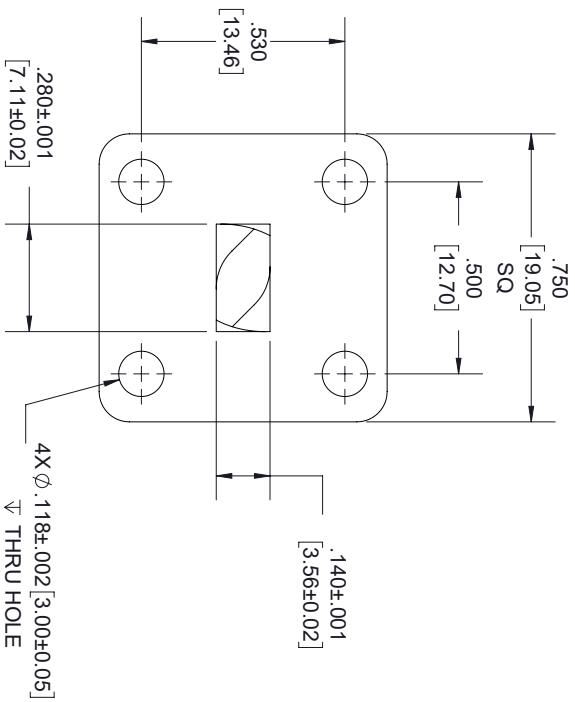


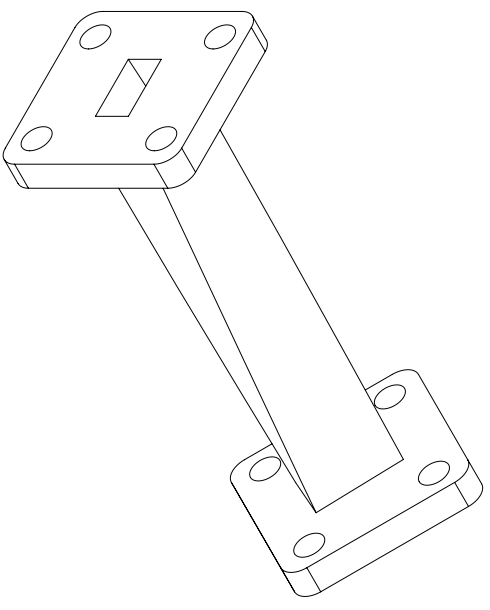
WR-28 WAVEGUIDE
UG599/U SQUARE FLANGE
TYP



FLANGE DETAIL

STANDARD TOLERANCES
.X ±0.2
.XX ±0.01
.XXX ±0.005

*STANDARD TOLERANCES APPLY ONLY TO DIMENSIONS IN INCHES



NOTES:
1. UNLESS OTHERWISE SPECIFIED ALL DIMENSIONS ARE NOMINAL.
2. ALL SPECIFICATIONS ARE SUBJECT TO CHANGE WITHOUT NOTICE AT ANY TIME.
3. DIMENSIONS ARE IN INCHES [mm].

TITLE		DWG NO		CAGE CODE	
		FMW28TW001		3FKR5	
CAD FILE	07/05/19	SHEET	1 OF 1	SCALE	N/A
		SIZE	A		7361