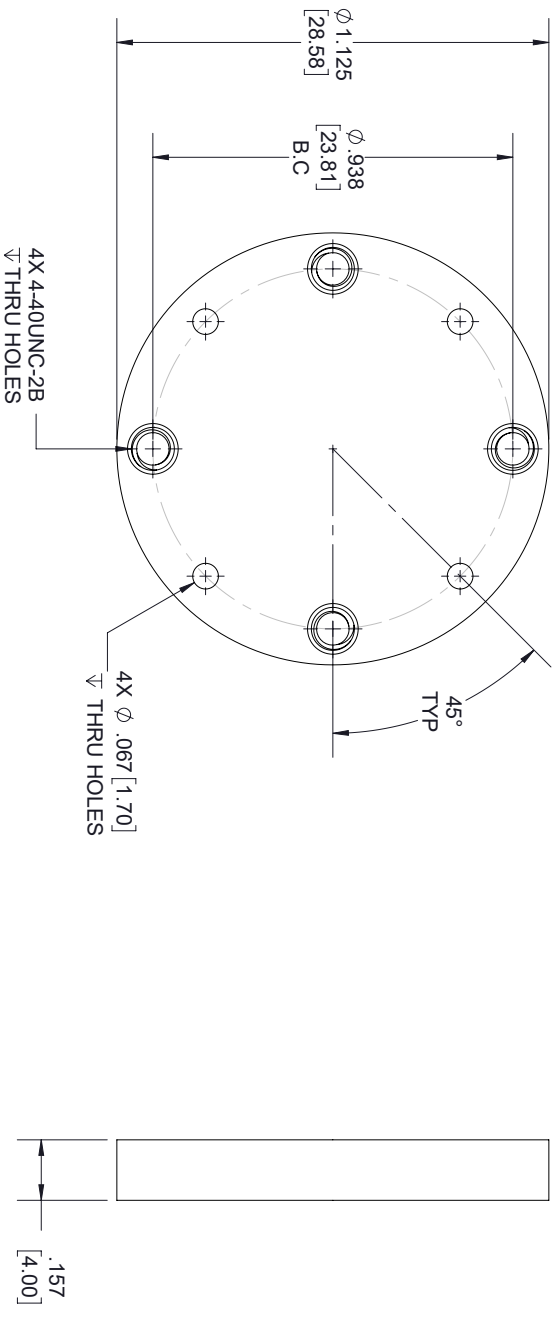
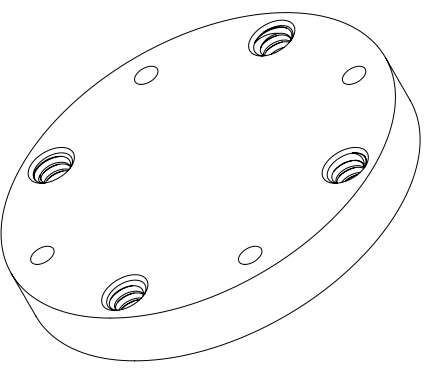


| REVISIONS |                 |           |          |
|-----------|-----------------|-----------|----------|
| REV.      | DESCRIPTION     | DATE      | APPROVED |
| A         | INITIAL RELEASE | 1/29/2020 | S.PONG   |



WR-22 WAVEGUIDE  
UG-383/U ROUND COVER FLANGE



THESE COMMODITIES, TECHNOLOGY OR SOFTWARE WERE EXPORTED FROM THE UNITED STATES IN ACCORDANCE WITH THE EXPORT ADMINISTRATION REGULATIONS, DIVERSION CONTRARY TO U.S. LAW PROHIBITED.



TITLE

|   |           |   |          |   |     |
|---|-----------|---|----------|---|-----|
| UNLESS OTHERWISE SPECIFIED LEADING DIMENSIONS ARE INCHES<br>DIMENSIONS IN [ ] ARE MILLIMETERS |           |   |          | THIRD-ANGLE PROJECTION  |     |
| TOLERANCES:   |           |   |          |   |     |
| CABLE LENGTH (L) TOLERANCES:  |           |   |          | THE INFORMATION AND DESIGN IN THIS DOCUMENT IS THE PROPERTY OF FAIRVIEW MICROWAVE CORPORATION. ALL RIGHTS RESERVED. |     |
| X = ±.2 [ .008] FRACTIONS<br>XX = ±.02 [ .51] ±.1/32<br>XXX = ±.005 [ .13] ANGLES ± 1°        |           | L ≤ 12 [305] = +1 [25] / -0<br>12 [305] < L ≤ 60 [1524] = +2 [51] / -0<br>60 [1524] < L ≤ 120 [3048] = +4 [102] / -0<br>120 [3048] < L ≤ 300 [7620] = +6 [152] / -0<br>300 [7620] < L = +5%L / -0 |          | SHEET 1 OF 1  |     |
| ALL DIMENSIONS SHOWN ARE FOR REFERENCE ONLY.  |           |   |          | SCALE   |     |
| SIZE  | GAGE CODE | DRAWN BY  | ITEM NO. | REV   | REV |
| A   | 3FKRS     | K.DANG  | FMW22SP4 | N/A   | A   |