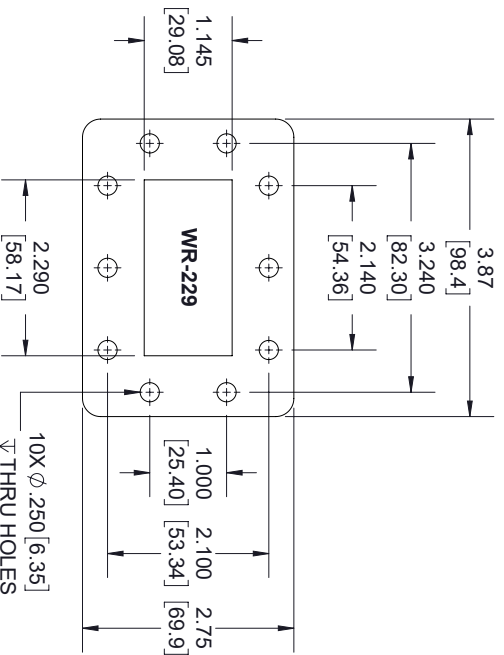
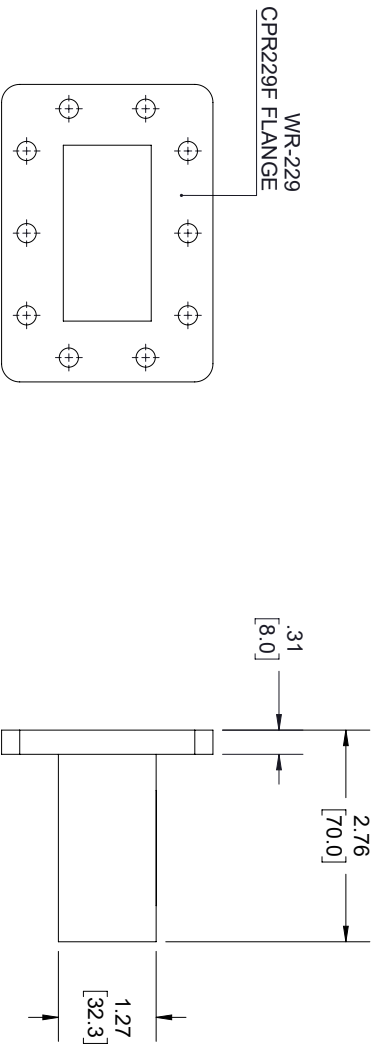
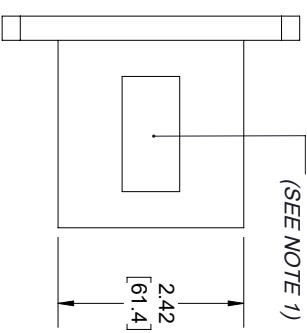
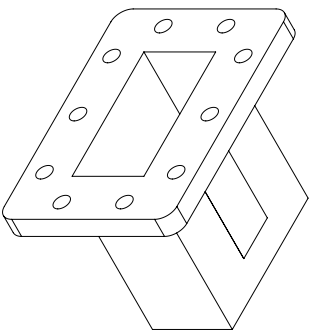


REVISIONS			
REV.	DESCRIPTION	DATE	APPROVED
A	INITIAL RELEASE	3/24/2021	S.PONG



- NOTES:**
- LABEL PER ILS-100-09, FOR INTERNAL USE ONLY.  
LABEL LOCATION FOR REFERENCE ONLY.

**FLANGE DETAIL**

THESE COMMODITIES, TECHNOLOGY OR SOFTWARE WERE EXPORTED FROM THE UNITED STATES IN ACCORDANCE WITH THE EXPORT ADMINISTRATION REGULATIONS, DIVERSION CONTRARY TO U.S. LAW PROHIBITED.



UNLESS OTHERWISE SPECIFIED LEADING DIMENSIONS ARE INCHES  
DIMENSIONS IN [ ] ARE MILLIMETERS

**TOLERANCES:**

**CABLE LENGTH (L) TOLERANCES:**



THIRD-ANGLE PROJECTION

X = ±.2 [5.08] FRACTIONS 12 [305] < L ≤ 60 [1524] = +.2 [5.1] / -0  
XX = ±.02 [ .51] ±.1/32 60 [1524] < L ≤ 120 [3048] = +.4 [102] / -0  
XXX = ±.005 [ .13] ANGLES ± 1° 120 [3048] < L ≤ 300 [7620] = +.6 [152] / -0  
300 [7620] < L = +5%L / -0

THE INFORMATION AND DESIGN IN THIS DOCUMENT IS THE PROPERTY OF FAIRVIEW MICROWAVE CORPORATION. ALL RIGHTS RESERVED.

SHEET 1 OF 1

ALL DIMENSIONS SHOWN ARE FOR REFERENCE ONLY.

SCALE

N/A

SIZE	DRAWN BY	ITEM NO.	REV
A	K.DANG	FMW229TR1002	A

SIZE	GAGE CODE
A	3FKR5