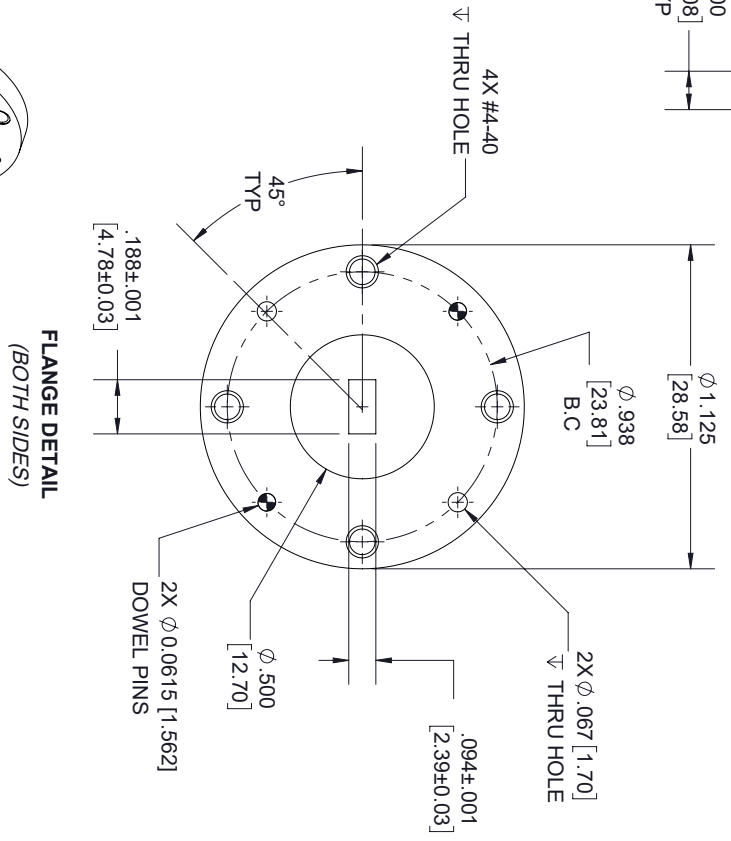
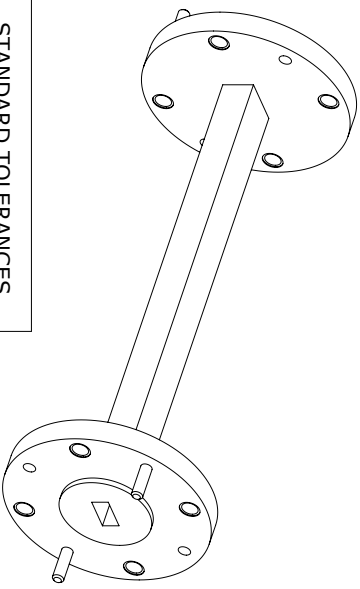


WR-19 WAVEGUIDE  
UG-383/U ROUND FLANGE  
TYP



FLANGE DETAIL  
(BOTH SIDES)



STANDARD TOLERANCES  
.X ±0.2  
.XX ±0.01  
.XXX ±0.005

\*STANDARD TOLERANCES APPLY ONLY TO DIMENSIONS IN INCHES



NOTES:  
1. UNLESS OTHERWISE SPECIFIED ALL DIMENSIONS ARE NOMINAL.  
2. ALL SPECIFICATIONS ARE SUBJECT TO CHANGE WITHOUT NOTICE AT ANY TIME.  
3. DIMENSIONS ARE IN INCHES [mm].

TITLE		DWG NO		CAGE CODE	
		FMW19S010-3		3FKR5	
CAD FILE	06/20/19	SHEET	1 OF 1	SCALE	N/A
				SIZE	A
					7361