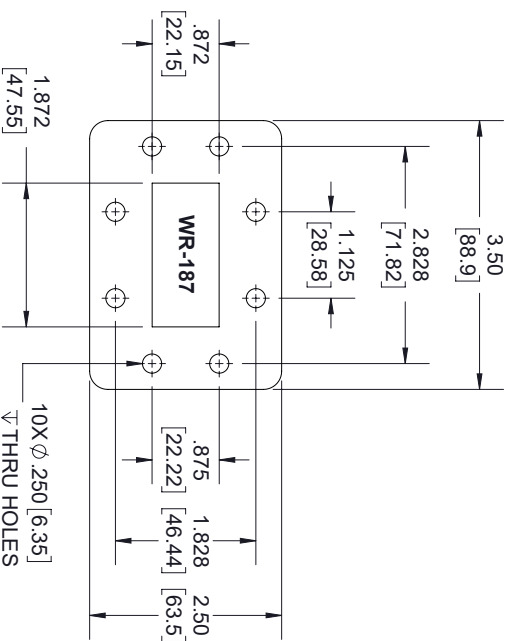
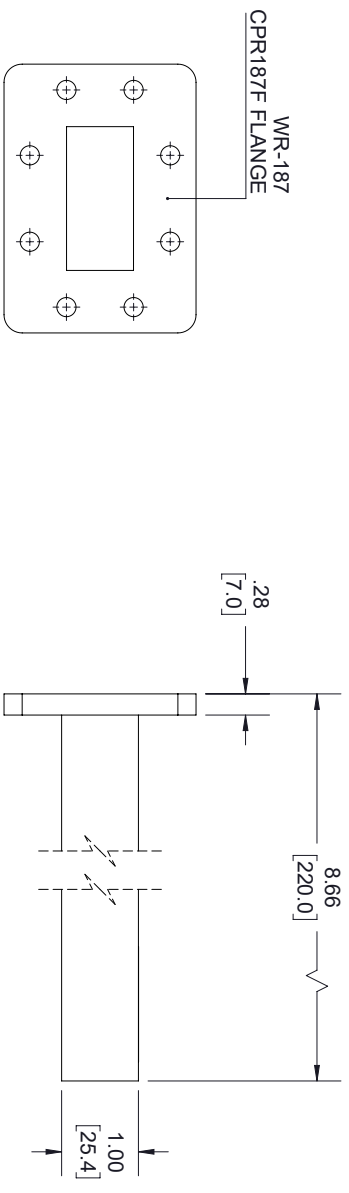
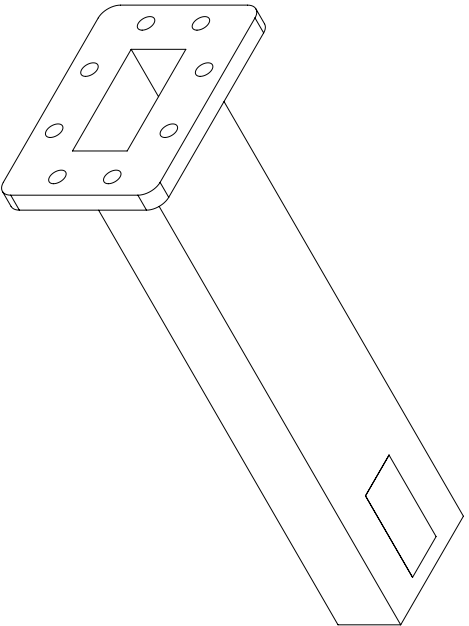


REVISIONS			
REV.	DESCRIPTION	DATE	APPROVED
A	INITIAL RELEASE	3/24/2021	S.PONG



**NOTES:**

- LABEL PER ILS-100-09, FOR INTERNAL USE ONLY.  
LABEL LOCATION FOR REFERENCE ONLY.

THESE COMMODITIES, TECHNOLOGY OR SOFTWARE WERE EXPORTED FROM THE UNITED STATES IN ACCORDANCE WITH THE EXPORT ADMINISTRATION REGULATIONS, DIVERSION CONTRARY TO U.S. LAW PROHIBITED.



TOLERANCES:		CABLE LENGTH (L) TOLERANCES:		THIRD-ANGLE PROJECTION	
X = ±.2	[5.08]	FRACTIONS	L ≤ 12 [305] = +1 [25] / -0		
XX = ±.02	[.51]	±.1/32	12 [305] < L ≤ 60 [1524] = +2 [51] / -0		
XXX = ±.005	[.13]	ANGLES ± 1°	60 [1524] < L ≤ 120 [3048] = +4 [102] / -0		
			120 [3048] < L ≤ 300 [7620] = +6 [152] / -0		
			300 [7620] < L = +5%L / -0		

SIZE	GAGE CODE	DRAWN BY	ITEM NO.	SCALE	REV
A	3FKRS	K.DANG	FMW187TR1002	N/A	A